

# Merkel Rotomatic M 19

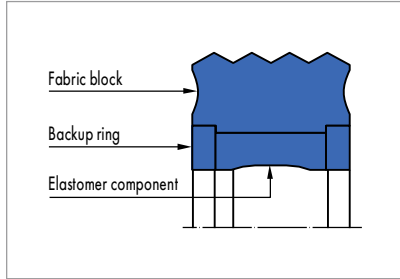


Fig. 1 Merkel Rotomatic M 19

## Product description

Three-part Merkel seal set, consisting of an elastomer part with fabric reinforcement on the contact area which is formed so that two sealing edges form an oil groove, as well as two activated back-up rings.

## Product advantages

Double-acting rod seal for pivoting motions in hydraulic systems, preferably for usage in hydraulic joints and rotary joints

- Extrusion-secured through activated back-up ring
- Wear-resistant.

## Application

Excavators, grippers, rotary joints.

## Material

Material	Code
Nitrile rubber NBR/POM	80 NBR B246/BI-NBR B4 B285/POM PO202

## Operating conditions

Material	80 NBR B246/BI-NBR B4 B285/POM PO202
	<b>Temperature range in °C</b>
Hydraulic oils HL, HLP	-30 ... +80
HFA fluids	+5 ... +60
HFB fluids	+5 ... +60
HFC fluids	-30 ... +60
HFD fluids	-
Water	+5 ... +80
HETG (rapeseed oil)	-30 ... +80
HEES (synthetic ester)	-30 ... +80
HEPG (glycol)	-30 ... +60
Mineral greases	-30 ... +80
Pressure p in MPa	40
Running speed v in m/s	0,2

If the seal set is to be used for permanent rotational movement, please consult us first.

## Surface quality

Surface roughness	R <sub>a</sub>	R <sub>max</sub>
Sliding surface	0,05 ... 0,3 µm	≤2,5 µm
Groove base	≤1,6 µm	≤6,3 µm
Groove flanks	≤3,0 µm	≤15,0 µm

The surface hardness must be approx. 45 to 60 HRC (depth of hardening min. 0,5 mm). Percentage contact area M<sub>v</sub> >50% to max 90% at cutting depth c = Rz/2 and reference line C ref = 0%. Abrasive surfaces, ridges, scratches and blow-holes are to be avoided.

## Design notes

Please observe our general design notes in → Technical Manual.

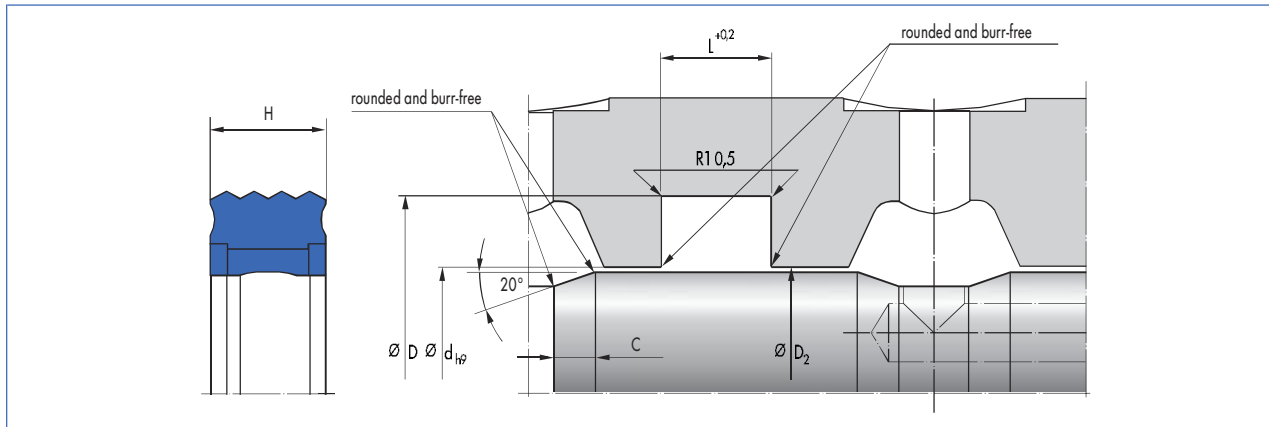
## Tolerance recommendation and dimension d2

Recommended fit for pressures up to 40 MPa

Profile	D2	Tolerance level D2	Shaft	Groove base
7,5	d +0,2* d +0,3	H8	f8	H9
10,0	d +0,3* d +0,5	H8	f8	H9
12,5	d +0,5* d +0,7	H8	f8	H9

\* In dependence on the H dimension of the back-up ring.

Article list



d	D	L	C	Profile	Material	Article No.	
60	72	10	5,5	6	80 NBR B246	24069210	○
70	85	11	5,5	7,5	80 NBR B246	24067432	○
80	95	11	5,5	7,5	80 NBR B246	24235577	●
90	110	13	7,5	10	80 NBR B246	24103500	○
95	112	10,8	7	8,5	80 NBR B246	24308835	○
95	112	11	7	8,5	80 NBR B246	24065060	●
100	120	13	7,5	10	80 NBR B246	24103501	○
110	130	13	7,5	10	80 NBR B246	24103502	●
125	145	13	7,5	10	80 NBR B246	24103504	●
130	150	11	7,5	10	80 NBR B246	24091083	●
140	160	13	7,5	10	80 NBR B246	24103505	○
150	170	13	7,5	10	80 NBR B246	24139281	○
160	185	16	8	12,5	80 NBR B219	24080888	○
180	205	16	8	12,5	80 NBR B246	24068319	○
200	225	16	8	12,5	80 NBR B219	24103506	○
290	320	19	8	15	80 NBR B246	24195361	○
365	390	16	8	12,5	80 NBR B246	24362038	○

● Available from stock ○ On request: Tool is available, delivery at short notice

# Merkel Rotomatic M 17

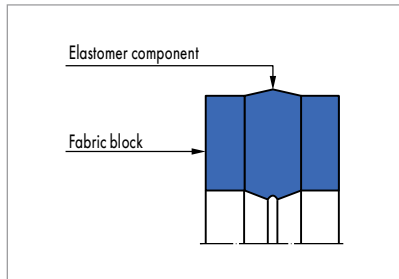


Fig. 1 Merkel Rotomatic M 17

## Product description

Single-piece Merkel sealing ring comprising an elastomer part firmly set by fabric blocks on both sides which is provided with an oil groove at the contact area.

## Product advantages

Double-acting rod seal for pivoting motions in hydraulic systems, preferably for usage in hydraulic joints and rotary joints

- Wear-resistant
- Secure static sealing.

## Application

Excavators, grippers, rotary joints.

## Material

Material	Code
Nitrile rubber NBR	80 NBR B246/BI-NBR B3B248

## Operating conditions

Material	80 NBR B246/BI-NBR B3B248
Temperature range in °C	
Hydraulic oils HL, HLP	-30 ... +80
HFA fluids	+5 ... +60
HFB fluids	+5 ... +60
HFC fluids	-30 ... +60
HFD fluids	-
Water	+5 ... +80
HETG (rapeseed oil)	-30 ... +80
HEES (synthetic esters)	-30 ... +80
HEPG (glycol)	-30 ... +60
Mineral greases	-30 ... +80
Pressure p in MPa	20
Running speed v in m/s	0,1

If the seal set is to be used for permanent rotational movement, please consult us first. Other material combinations are available on request.

## Surface quality

Surface roughness	R <sub>a</sub>	R <sub>max</sub>
Sliding surface	0,05 ... 0,3 µm	≤2,5 µm
Groove base	≤1,6 µm	≤6,3 µm
Groove flanks	≤3,0 µm	≤15,0 µm

The surface hardness must be approx. 45 to 60 HRC (depth of hardening min. 0,5 mm). Percentage contact area M<sub>r</sub> >50% to max 90% at cutting depth c = Rz/2 and reference line C ref = 0%. Abrasive surfaces, ridges, scratches and blow-holes are to be avoided.

## Design notes

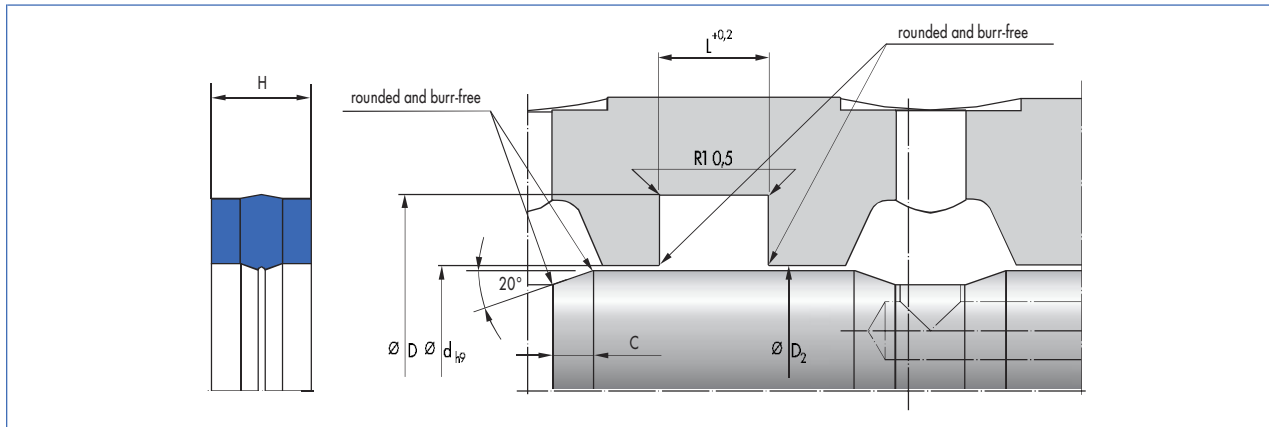
Please observe our general design notes in → Technical Manual.

## Tolerance recommendation

Recommended fit for pressures up to 20 MPa

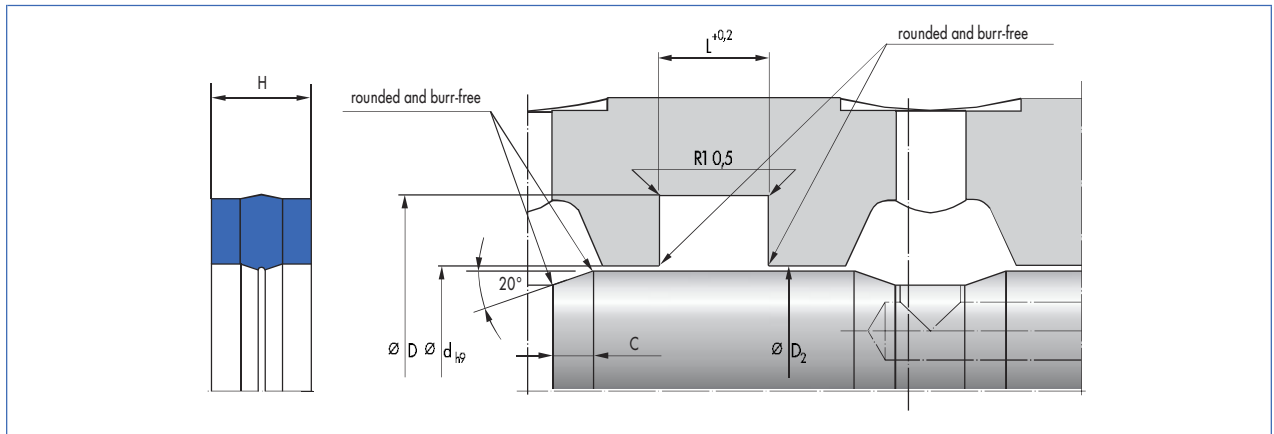
Nominal Ø d	Borehole	Shaft	Groove base
... 60	H8	f8	H9
>60	H7	f7	H9

Article list



d	D	L	C	Profile	Material	Article No.	
10	18	6,5	3	4	80 NBR B246	24024279	●
20	28	6,5	2,5	4	80 NBR B246	24024285	●
22	30	6,5	2,5	4	80 NBR B246	24024286	●
25	35	8	3	5	80 NBR B246	24024287	●
28	38	8	3	5	80 NBR B246	24024288	○
30	40	8	3	5	80 NBR B246	24024289	●
32	42	8	3	5	80 NBR B246	24024290	●
35	45	8	3	5	80 NBR B246	24024291	●
36	46	8	3	5	80 NBR B246	24024292	○
40	52	8	3	6	80 NBR B246	24024212	●
42	54	8	3	6	80 NBR B246	24024293	●
45	57	8	3	6	80 NBR B246	24024294	●
50	62	8	3	6	80 NBR B246	24024295	●
55	67	8	3	6	80 NBR B246	24024296	●
56	68	8	3	6	80 NBR B246	24024297	●
60	75	11	3,5	7,5	80 NBR B246	24024298	●
63	78	11	3,5	7,5	80 NBR B246	24024299	○
65	80	11	3,5	7,5	80 NBR B246	24024300	●
70	85	11	3,5	7,5	80 NBR B246	24024301	●
75	90	11	3,5	7,5	80 NBR B246	24024302	●
80	95	11	3,5	7,5	80 NBR B246	24024303	●
85	100	11	3,5	7,5	80 NBR B246	24024304	●
90	110	13	5	10	80 NBR B246	24024305	●
100	120	13	5	10	80 NBR B246	24024306	●
110	130	13	5	10	80 NBR B246	24024307	●
115	135	13	5	10	80 NBR B246	24024308	●
125	145	13	5	10	80 NBR B246	24026976	●
140	160	13	5	10	80 NBR B246	24024310	●
150	175	16	5	12,5	80 NBR B246	24024311	●
160	185	16	5,5	12,5	80 NBR B246	24024312	●
170	190	13	5	10	80 NBR B246	24024266	○
180	205	16	5,5	12,5	80 NBR B246	24024313	●
200	225	16	5,5	12,5	80 NBR B246	24024314	●
225	255	19	6	15	80 NBR B246	24127447	○
250	270	17	5	10	80 NBR B246	24024270	○

● Available from stock ○ On request: Tool is available, delivery at short notice



d	D	L	C	Profile	Material	Article No.	
310	340	19	6	15	80 NBR B246	24035509	<input type="radio"/>
320	345	13	5	12,5	80 NBR B246	24078636	<input type="radio"/>
360	378	13	5	9	80 NBR B246	24029629	<input type="radio"/>
380	400	16	5,5	10	80 NBR B246	24174996	<input type="radio"/>
440	460	13	5	10	80 NBR B246	24137980	<input type="radio"/>
500	520	16	5,5	10	80 NBR B246	24063830	<input type="radio"/>
680	720	25	7	20	80 NBR B246	24143612	<input type="radio"/>
750	790	26	7	20	80 NBR B246	24136568	<input type="radio"/>

● Available from stock    ○ On request: Tool is available, delivery at short notice

# Merkel Rotomatic M 16

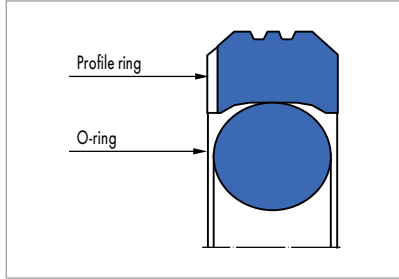


Fig. 1 Merkel Rotomatic M 16

## Material

### PTFE profile ring

Material	Code
PTFE glass/MoS <sub>2</sub> compound	PTFE GM201

### O-ring

Material	Code	Hardness
Nitrile rubber	80 NBR B241	70 Shore A
Fluoro rubber	80 FKM K670	70 Shore A

## Product description

Two-piece Merkel seal set for sealing pistons, consisting of one PTFE profile ring and an O-ring as a pre-load component.

## Product advantages

Double-acting piston seal for pivoting motions in hydraulic systems; for standardised housing according to ISO 7425/1; preferably for usage in hydraulic joints and rotary joints.

- Short
- Highly resistant to hydraulic fluids
- Low friction, free of stick-slip.

## Application

Excavators, grippers, rotary joints.

## Operating conditions

Material	PTFE GM201	PTFE GM201
	Temperature range in °C	
Hydraulic oils HL, HLP	-30 ... +100	-10 ... +150
HFA fluids	+5 ... +60	+5 ... +60
HFB fluids	+5 ... +60	+5 ... +60
HFC fluids	-30 ... +60	-10 ... +40
HFD fluids	-	-10 ... +150
Water	+5 ... +100	+5 ... +100
HETG (rapeseed oil)	-30 ... +80	-10 ... +80
HEES (synthetic esters)	-30 ... +80	-10 ... +100
HEPG (glycol)	-30 ... +60	-10 ... +80
Mineral greases	-30 ... +100	-10 ... +150
Pressure p in MPa	40	
Running speed v in m/s	0,5	

## Surface quality

Surface roughness	R <sub>a</sub>	R <sub>max</sub>
Sliding surface	0,05 ... 0,3 µm	≤2,5 µm
Groove base	≤1,6 µm	≤6,3 µm
Groove flanks	≤3,0 µm	≤15,0 µm

The surface hardness must be approx. 45 to 60 HRC (depth of hardening min. 0,5 mm). Percentage contact area M<sub>r</sub> >50% to max 90% at cutting depth c = Rz/2 and reference line C ref = 0%. Abrasive surfaces, ridges, scratches and blow-holes are to be avoided.

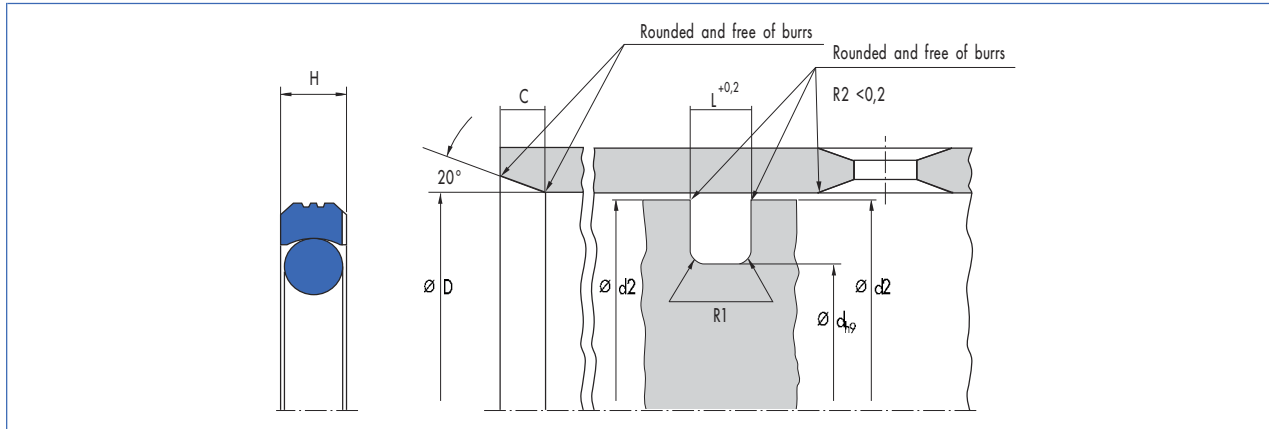
## Design notes

Please observe our general design notes in → Technical Manual.

## Tolerance recommendation

Nominal Ø d	Borehole	Shaft	Groove base
... 500	h9	H8	h9
>500	h8	H7	h8

Article list



d	D	R <sub>1</sub>	L	C	Profile	Material	Article No.	
35,1	40	0,2	2,2	6	2,45	PTFE GM201 / NBR	24344591	○
35,1	40	0,2	2,2	6	2,45	PTFE GM201 / NBR	24344600	○
37,5	45	0,5	3,2	6	3,75	PTFE GM201 / NBR	24344592	○
37,5	45	0,5	3,2	6	3,75	PTFE GM201 / NBR	24344601	○
42,5	50	0,5	3,2	6	3,75	PTFE GM201 / NBR	24344593	○
42,5	50	0,5	3,2	6	3,75	PTFE GM201 / NBR	24344602	○
47,5	55	0,5	3,2	6	3,75	PTFE GM201 / NBR	24344594	○
47,5	55	0,5	3,2	6	3,75	PTFE GM201 / NBR	24344603	○
52,5	60	0,5	3,2	6	3,75	PTFE GM201 / NBR	24344595	○
52,5	60	0,5	3,2	6	3,75	PTFE GM201 / NBR	24344604	○
54	65	0,8	4,2	8	5,5	PTFE GM201 / NBR	24351853	○
55,5	63	0,5	3,2	6	3,75	PTFE GM201 / NBR	24344596	○
55,5	63	0,5	3,2	6	3,75	PTFE GM201 / NBR	24344605	○
62,5	70	0,5	3,2	6	3,75	PTFE GM201 / NBR	24344597	○
62,5	70	0,5	3,2	6	3,75	PTFE GM201 / NBR	24344606	○
67,5	75	0,5	3,2	6	3,75	PTFE GM201 / NBR	24378533	○
69	80	0,8	4,2	8	5,5	PTFE GM201 / NBR	24275277	○
69	80	0,8	4,2	8	5,5	PTFE GM201 / NBR	24344607	○
79	90	0,8	4,2	8	5,5	PTFE GM201 / NBR	24344598	○
79	90	0,8	4,2	8	5,5	PTFE GM201 / NBR	24344608	○
84	95	0,8	4,2	8	5,5	PTFE GM201 / FKM	24376140	○
87	98	0,8	4,2	8	5,5	PTFE GM201 / FKM	24359814	○
89	100	0,8	4,2	8	5,5	PTFE GM201 / FKM	24344628	○
89	100	0,8	4,2	8	5,5	PTFE GM201 / FKM	24344633	○
94	105	0,8	4,2	8	5,5	PTFE GM201 / FKM	24360325	○
94	105	0,8	4,2	8	5,5	PTFE GM201 / FKM	24362662	○
99	110	0,8	4,2	8	5,5	PTFE GM201 / FKM	24344625	○
99	110	0,8	4,2	8	5,5	PTFE GM201 / FKM	24344629	○
114	125	0,8	4,2	8	5,5	PTFE GM201 / FKM	24261557	○
114	125	0,8	4,2	8	5,5	PTFE GM201 / FKM	24344630	○
124,5	140	1,2	6,3	10	7,75	PTFE GM201 / FKM	24265781	○
129,5	145	1,2	6,3	10	7,75	PTFE GM201 / FKM	24295612	○
134,5	150	1,2	6,3	10	7,75	PTFE GM201 / FKM	24344626	○
134,5	150	1,2	6,3	10	7,75	PTFE GM201 / NBR	24344655	○
144,5	160	1,2	6,3	10	7,75	PTFE GM201 / NBR	24344627	○

● Available from stock ○ On request: Tool is available, delivery at short notice

d	D	R <sub>1</sub>	L	C	Profile	Material	Article No.	
144,5	160	1,2	6,3	10	7,75	PTFE GM201 / NBR	24344632	○
154,5	170	1,2	6,3	10	7,75	PTFE GM201 / FKM	24362008	○
164,5	180	1,2	6,3	10	7,75	PTFE GM201 / FKM	24344599	○
164,5	180	1,2	6,3	10	7,75	PTFE GM201 / FKM	24344609	○
165	149,5	1,2	6,3	10	7,75	PTFE GM201 / FKM	24380085	○
184,5	200	1,2	6,3	10	7,75	PTFE GM201 / NBR	24333651	○
184,5	200	1,2	6,3	10	7,75	PTFE GM201 / FKM	24344610	○
204,5	220	1,2	6,3	10	7,75	PTFE GM201 / NBR	24330686	○
204,5	220	1,2	6,3	10	7,75	PTFE GM201 / NBR	24344611	○
224,5	240	1,2	6,3	10	7,75	PTFE GM201 / FKM	24331499	○
234,5	250	1,2	6,3	10	7,75	PTFE GM201 / NBR	24331860	○
234,5	250	1,2	6,3	10	7,75	PTFE GM201 / NBR	24344612	○
254,5	270	1,2	6,3	10	7,75	PTFE GM201 / FKM	24350021	○
264,5	280	1,2	6,3	10	7,75	PTFE GM201 / NBR	24377949	○
284,5	300	1,2	6,3	10	7,75	PTFE GM201 / NBR	24369438	○
289	310	1,2	8,1	10	10,5	PTFE GM201 / NBR	24341182	○
299	320	1,2	8,1	10	10,5	PTFE GM201 / FKM	49004641	○
314,5	330	1,2	6,3	10	7,75	PTFE GM201 / NBR	24331955	○
335,5	360	1,2	8,1	10	12,25	PTFE GM201 / NBR	24366844	○
339	360	1,2	8,1	10	10,5	PTFE GM201 / NBR	531983	○
364	385	2	8,1	10	10,5	PTFE GM201 / NBR	24334111	○
375,5	400	2	8,1	12	12,25	PTFE GM201 / NBR	24363097	○
475,5	500	2	8,1	12	12,25	PTFE GM201 / NBR	24363098	○
605,5	630	2	8,1	12	12,25	PTFE GM201 / NBR	24363099	○
652	680	2	9,5	13	14	PTFE GM201 / FKM	24357188	○
682	710	2	9,5	13	14	PTFE GM201 / NBR	24374718	○
752	780	2	9,5	13	14	PTFE GM201 / FKM	24361922	○
772	800	2	9,5	13	14	PTFE GM201 / FKM	24374719	○
792	820	2	9,5	13	14	PTFE GM201 / FKM	24356201	○
872	900	2	9,5	13	14	PTFE GM201 / FKM	24345423	○

● Available from stock ○ On request: Tool is available, delivery at short notice



# Merkel Rotomatic M 15

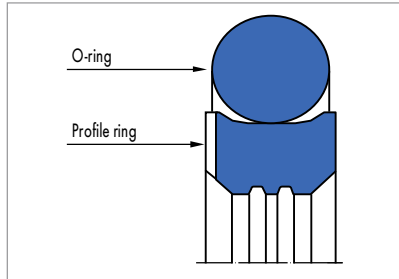


Fig. 1 Merkel Rotomatic M 15

## Product description

Two-piece Merkel seal set for sealing piston rods, consisting of one PTFE profile ring and an O-ring as a pre-load component.

## Product advantages

Double-acting rod seal for pivoting motions in hydraulic systems, preferably for usage in hydraulic joints and rotary joints.

- Short
- Highly resistant to hydraulic fluids
- Low friction, free of stick-slip.

## Application

Excavators, grippers, rotary joints.

## Material

### PTFE profile ring

Material	Code
PTFE glass/MoS <sub>2</sub> compound	GM201

### O-ring

Material	Code	Hardness
Nitrile rubber NBR	NBR	70 Shore A
Fluoro rubber FKM	FKM	70 Shore A

## Operating conditions

Material	80 NBR B241	80 FKM K670
	Temperature range in °C	
Hydraulic oils HL, HLP	-30 ... +100	-10 ... +150
HFA fluids	+5 ... +60	+5 ... +60
HFB fluids	+5 ... +60	+5 ... +60
HFC fluids	-30 ... +60	-10 ... +40
HFD fluids	-	-10 ... +150
Water	+5 ... +100	+5 ... +100
HETG (rapeseed oil)	-30 ... +80	-10 ... +80
HEES (synthetic esters)	-30 ... +80	-10 ... +100
HEPG (glycol)	-30 ... +60	-10 ... +80
Mineral greases	-30 ... +100	-10 ... +150
Pressure p in MPa	40	
Running speed v in m/s	0,5	

## Surface quality

Surface roughness	R <sub>a</sub>	R <sub>max</sub>
Sliding surface	0,05 ... 0,3 µm	≤2,5 µm
Groove base	≤1,6 µm	≤6,3 µm
Groove flanks	≤3,0 µm	≤15,0 µm

The surface hardness must be approx. 45 to 60 HRC (depth of hardening min. 0,5 mm). Percentage contact area M<sub>r</sub> >50% to max 90% at cutting depth c = Rz/2 and reference line C ref = 0%. Abrasive surfaces, ridges, scratches and blow-holes are to be avoided.

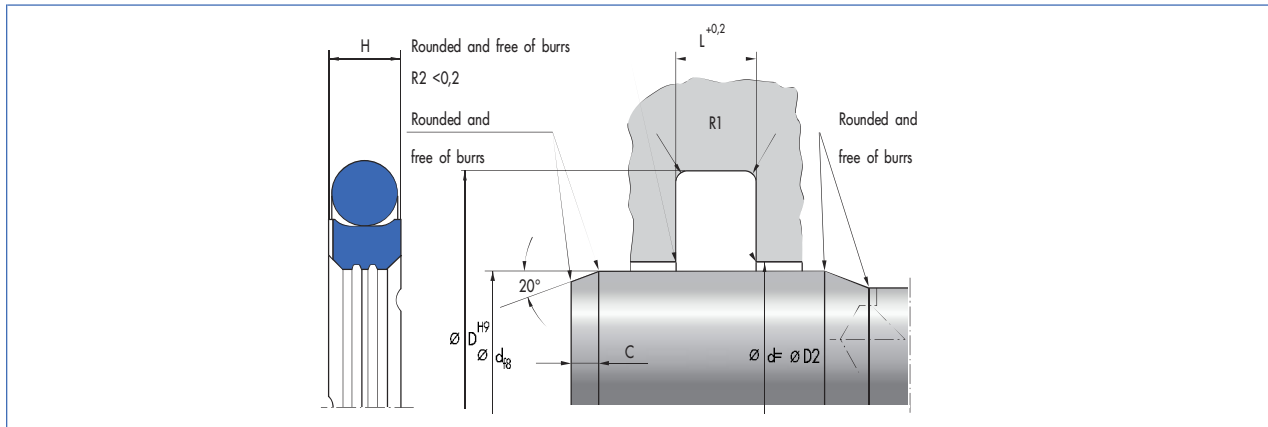
## Design notes

Please observe our general design notes in → Technical Manual.

## Tolerance recommendation and dimension d2

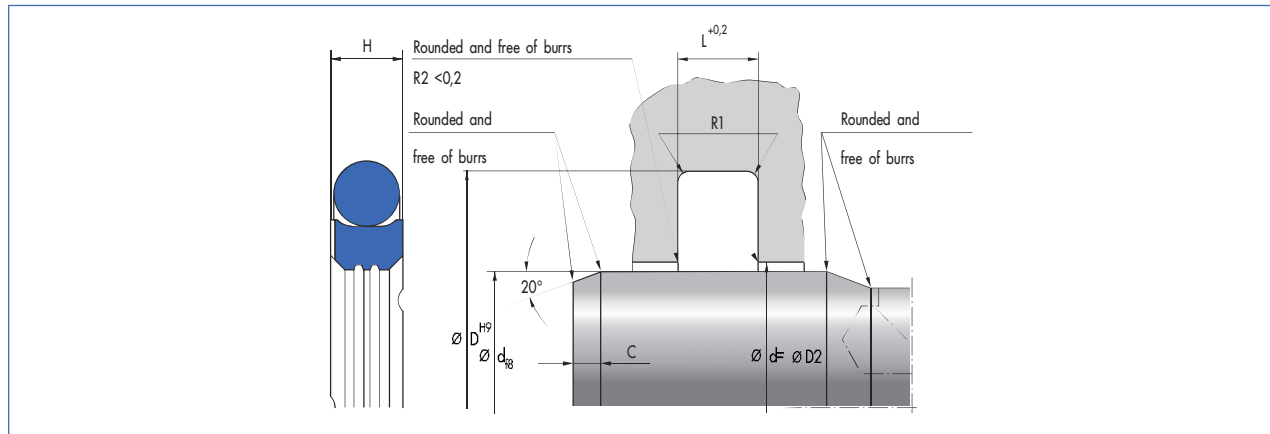
Nominal Ø d	Borehole	Shaft	Groove base
... 500	H9	f8	H9
>500	H8	f7	H8

Article list



d	D	R <sub>1</sub>	L	C	Profile	Material	Article No.	
20	27,5	0,5	3,2	3	3,75	PTFE GM201	24336291	●
25	32,5	0,5	3,2	3	3,75	PTFE GM201	24342634	○
28	35,5	0,5	3,2	3	3,75	PTFE GM201	24342635	○
30	37,5	0,5	3,2	3	3,75	PTFE GM201	24332459	○
30	41	0,5	4,2	3	5,5	PTFE GM201	24260303	○
30	41	0,5	4,2	3	5,5	PTFE GM201	24263153	○
32	39,5	0,5	3,2	3	3,75	PTFE GM201	24342636	○
35	46	0,5	4,2	3	5,5	PTFE GM201	24288862	○
36	47	0,8	4,2	3	5,5	PTFE GM201	24261511	○
40	51	0,8	4,2	3	5,5	PTFE GM201	24260912	○
40	55,5	0,8	6,3	5	7,75	PTFE GM201	24263148	○
45	56	0,8	4,2	3	5,5	PTFE GM201	24342638	●
50	61	0,8	4,2	3	5,5	PTFE GM201	24244043	●
50	61	0,8	4,2	3	5,5	PTFE GM201	24260913	○
50	65,5	0,8	6,3	5	7,75	PTFE GM201	24332753	○
55	66	0,8	4,2	4	5,5	PTFE GM201	24339230	○
56	67	0,8	4,2	4	5,5	PTFE GM201	24342640	○
60	71	0,8	4,2	4	5,5	PTFE GM201	24344647	○
63	74	0,8	4,2	4	5,5	PTFE GM201	24342641	○
65	76	0,8	4,2	4	5,5	PTFE GM201	24379352	○
65	80,5	0,8	6,3	5	7,75	PTFE GM201	24262462	○
70	81	0,8	4,2	4	5,5	PTFE GM201	24261512	●
75	86	0,8	4,2	4	5,5	PTFE GM201	24274587	○
75	90,5	0,8	6,3	6	7,75	PTFE GM201	24379083	○
80	91	0,8	4,2	6	5,5	PTFE GM201	24269431	●
80	95,5	0,8	6,3	6	7,75	PTFE GM201	24268439	○
80	95,5	0,8	6,3	6	7,75	PTFE GM201	24379084	○
85	100,5	0,8	6,3	6	7,75	PTFE GM201	24374977	○
90	101	0,8	4,2	4	5,5	PTFE GM201	24295714	○
90	105,5	0,8	6,3	6	7,75	PTFE GM201	24269461	●
100	111	0,8	4,2	4	5,5	PTFE GM201	24334450	●
100	115,5	0,8	6,3	6	7,75	PTFE GM201	24372600	○
100	115,5	0,8	6,3	6	7,75	PTFE GM201	24379085	○
110	121	0,8	4,2	4	5,5	PTFE GM201	24342642	○
110	125,5	0,8	6,3	6	7,75	PTFE GM201	24269828	○

● Available from stock ○ On request: Tool is available, delivery at short notice



d	D	R <sub>1</sub>	L	C	Profile	Material	Article No.	
115	126	0,8	4,2	4	5,5	PTFE GM201	24275310	○
120	131	0,8	4,2	4	5,5	PTFE GM201	24244324	●
125	136	0,8	4,2	4	5,5	PTFE GM201	24342643	○
125	140,5	0,8	6,3	6	7,75	PTFE GM201	24264533	○
140	151	0,8	4,2	4	5,5	PTFE GM201	24342644	○
140	155,5	0,8	6,3	6	7,75	PTFE GM201	24275177	○
150	161	0,8	4,2	4	5,5	PTFE GM201	24342645	○
150	165,5	0,8	6,3	6	7,75	PTFE GM201	24275214	○
160	171	0,8	4,2	4	5,5	PTFE GM201	24332460	○
160	175,5	0,8	6,3	6	7,75	PTFE GM201	24345425	○
180	191	0,8	4,2	4	5,5	PTFE GM201	24265195	○
180	191	0,8	4,2	4	5,5	PTFE GM201	24360171	○
180	195,5	0,8	6,3	6	7,75	PTFE GM201	24258164	○
190	201	0,8	4,2	4	5,5	PTFE GM201	531984	○
200	215,5	1,2	6,3	6	7,75	PTFE GM201	24342646	○
220	235,5	1,2	6,3	6	7,75	PTFE GM201	24342647	○
240	255,5	1,2	6,3	6	7,75	PTFE GM201	24300256	○
250	265,5	1,2	6,3	6	7,75	PTFE GM201	24258166	○
280	301	1,2	8,1	7	10,5	PTFE GM201	24361776	○
280	301	1,2	8,1	7	10,5	PTFE GM201	24362271	○
285	306	2	8,1	7,5	10,5	PTFE GM201	24360172	○
305	326	2	8,1	7,5	10,5	PTFE GM201	24360876	○
320	344,5	2	8,1	8	12,25	PTFE GM201	24348407	○
335	356	2	8,1	7,5	10,5	PTFE GM201	24269406	○
350	374,5	2	8,1	8	12,25	PTFE GM201	24352373	○
360	384,5	2	8,1	8	12,25	PTFE GM201	49006745	○
375	396	2	8,1	7,5	10,5	PTFE GM201	533623	○
380	401	2	8,1	7,5	10,5	PTFE GM201	49011805	○
380	404,5	2	8,1	7,5	12,25	PTFE GM201	24377578	○
400	424,5	2	8,1	8	12,25	PTFE GM201	24257070	○
460	484,5	2	8,1	8	12,25	PTFE GM201	24373000	○
475	499,5	2	8,1	8	12,25	PTFE GM201	24296663	○
530	551	2	8,1	7,5	10,5	PTFE GM201	24349316	○
680	708	2	9,5	11	14	PTFE GM201	24261907	○
1000	1028	2	9,5	11	14	PTFE GM201	24377339	○

● Available from stock ○ On request: Tool is available, delivery at short notice