

Merkel U-Ring N 100, AUN 100

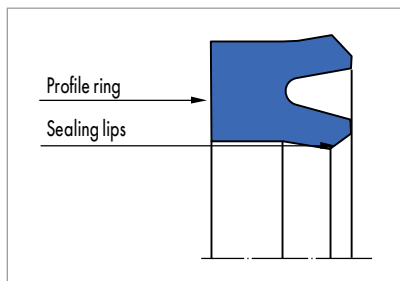


Fig. 1 Merkel U-Ring N 100, AUN 100

Product description

Merkel U-ring with symmetrical profile and set back sealing edges for rods/pistons.

Product advantages

Single-acting piston or rod seal, preferably for spare parts requirements.

Application

Special cylinders, agricultural machinery, forestry equipment, injection moulding machines, loading platforms, standard cylinders.

Material

N 100

Material	Code	Hardness
Nitrile rubber	90 NBR 109	90 Shore A

AUN 100

Material	Code	Hardness
Polyurethane	94 AU 925	94 Shore A

Operating conditions

Material	90 NBR 109	94 AU 925
	Temperature range in °C	
Hydraulic oils HL, HLP	-30 ... +100	-30 ... +110
HFA fluids	+5 ... +60	+5 ... +60
HFB fluids	+5 ... +60	+5 ... +60
HFC fluids	-30 ... +60	-30 ... +50
HFD fluids	-	-
Water	+5 ... +90	+5 ... +40
HETG (rapeseed oil)	-30 ... +80	-30 ... +60
HEES (synthetic ester)	-	-30 ... +80
HEPG (glycol)	-30 ... +60	-30 ... +40
Mineral greases	-30 ... +100	-30 ... +110
Pressure p in MPa	10 MPa	30 MPa
Running speed v in m/s	0,5	

Surface quality

Surface roughness	R _a	R _{max}
Sliding surface	0,05 ... 0,3 µm	≤2,5 µm
Groove base	≤1,6 µm	≤6,3 µm
Groove flanks	≤3,0 µm	≤15,0 µm

Percentage contact area M_p >50% to max. 90% at cutting depth c = Rz/2 and reference line C ref = 0%.

Design notes

Please observe our general design notes in → Technical Manual.

Gap dimension

The decisive factor for the function of the seal is the largest gap dimension occurring during operation on the non-pressurised side of the seal. → Technical Manual.

N 100 (material 90 NBR 109)

Profile	Max. permissible gap dimension		
	5 MPa	10 MPa	16 MPa
≤5,0	0,45	0,25	0,15
>5,0	0,50	0,30	0,20

AUN 100 (material 94 AU 925)

Profile	Max. permissible gap dimension			
	10 MPa	16 MPa	30 MPa	10 MPa
≤5,0	0,45	0,35	0,25	0,25
>5,0	0,50	0,40	0,30	0,30

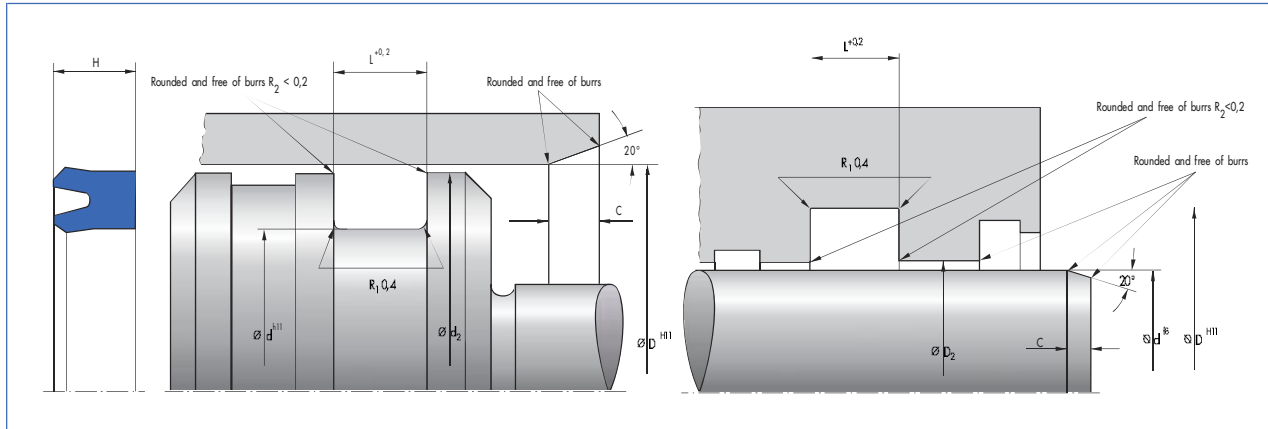
Tolerance recommendation and dimension D₂/d₂

The admissible gap width, tolerances, guide play and deflection of the guide under load are to be taken into account when designing D₂ (rod seal) or d₂ (piston seal). → Technical Manual.

Fitting & installation

Careful fitting is a prerequisite for the correct function of the seal. → Technical Manual. Note: the use of male adaptors increases the reliability. Further information is available on enquiry.

Article list

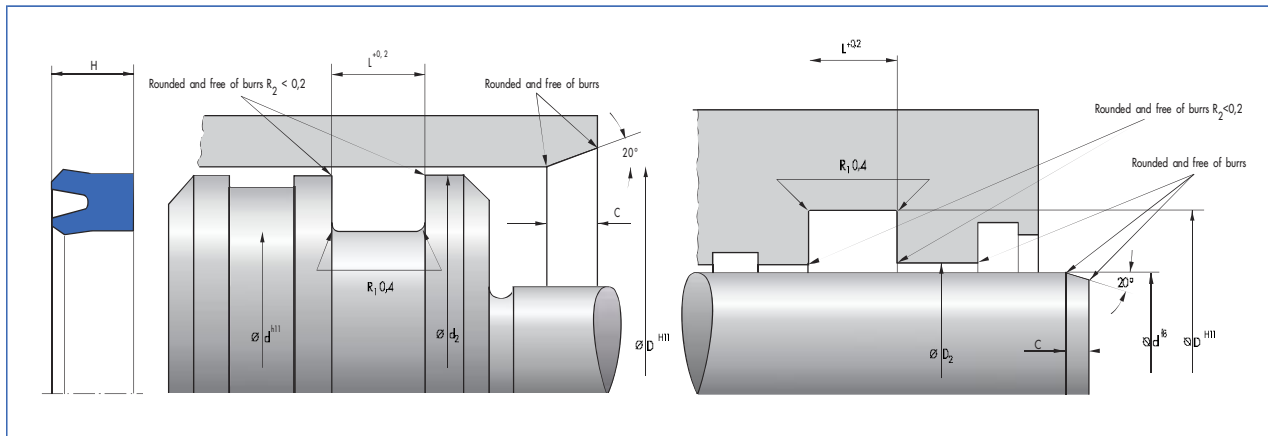


d	D	H	Profile	L	C	Code	Material	Type	Article No.	
8	16	8	4	9	3,5	N8-101	90 NBR M00109	N 100	18047	●
10	20	8	5	9	4	AUN10-106	94 AU P00925	AUN 100	14343	●
10	20	8	5	9	4	N10-103	90 NBR M00109	N 100	17744	●
10	22	8	6	9	5	AUN10-107	94 AU P00925	AUN 100	14344	●
10	22	8	6	9	5	N10-104	90 NBR M00109	N 100	17982	●
10	25	10	7,5	11	5,5	N10-105	90 NBR M00109	N 100	17912	●
12	22	8	5	9	4	AUN12-102	94 AU P00925	AUN 100	14345	●
12	24	10	6	11	5	N12-100	90 NBR M00109	N 100	17978	●
12	25	10	6,5	11	5,5	AUN12-103	94 AU P00925	AUN 100	14346	●
12	26	10	7	11	5,5	N12-101	90 NBR M00109	N 100	18056	●
14	24	8	5	9	4	AUN14-103	94 AU P00925	AUN 100	14347	●
14	28	10	7	11	5,5	N14-102	90 NBR M00109	N 100	17805	●
15	25	8	5	9	4	AUN15-103	94 AU P00925	AUN 100	11799	●
15	28	10	6,5	11	5,5	AUN15-104	94 AU P00925	AUN 100	11800	○
15	28	10	6,5	11	5,5	N15-101	90 NBR M00109	N 100	17783	●
15	30	10	7,5	11	5,5	N15-102	90 NBR M00109	N 100	11909	●
16	26	8	5	9	4	AUN16-105	94 AU P00925	AUN 100	14420	●
16	32	10	8	11	6	N16-104	90 NBR M00109	N 100	17802	●
18	28	8	5	9	4,5	AUN18-104	94 AU P00925	AUN 100	11812	●
18	30	8	6	9	5	AUN18-105	94 AU P00925	AUN 100	11813	●
18	30	10	6	11	5	N18-102	90 NBR M00109	N 100	17580	●
18	35	12	8,5	13	6	N18-103	90 NBR M00109	N 100	17807	○
20	30	8	5	9	4,5	AUN20-107	94 AU P00925	AUN 100	11829	●
20	30	10	5	11	4,5	AUN20-110	94 AU P00925	AUN 100	11830	●
20	32	8	6	9	5	AUN20-108	94 AU P00925	AUN 100	14404	●
20	35	10	7,5	11	5,5	N20-102	90 NBR M00109	N 100	16314	●
20	36	10	8	11	6	N20-105	90 NBR M00109	N 100	17857	○
20	40	12	10	13	6	N20-106	90 NBR M00109	N 100	17933	●
22	32	8	5	9	4,5	AUN22-103	94 AU P00925	AUN 100	11838	●
22	34	10	6	11	5	N22-101	90 NBR M00109	N 100	17846	●
22	35	10	6,5	11	5,5	AUN22-104	94 AU P00925	AUN 100	14349	●
22	38	10	8	11	6	N22-102	90 NBR M00109	N 100	17934	●
24	40	10	8	11	6	N24-100	90 NBR M00109	N 100	17664	●
25	35	8	5	9	4,5	AUN25-110	94 AU P00925	AUN 100	12304	●
25	38	10	6,5	11	5,5	AUN25-111	94 AU P00925	AUN 100	14351	●

● Available from stock ○ On request: Tool is available, delivery at short notice

d	D	H	Profile	L	C	Code	Material	Type	Article No.	
25	40	10	7,5	11	5,5	AUN25-112	94 AU P00925	AUN 100	14391	●
25	40	10	7,5	11	5,5	N25-108	90 NBR M00109	N 100	17762	●
25	45	12	10	13	6	N25-109	90 NBR M00108	N 100	17892	●
28	40	10	6	11	5	AUN28-103	94 AU P00925	AUN 100	14352	●
28	48	12	10	13	6	N28-102	90 NBR M00109	N 100	17916	●
30	40	10	5	11	4,5	AUN30-101	94 AU P00925	AUN 100	14353	●
30	42	10	6	11	5	AUN30-108	94 AU P00925	AUN 100	14354	●
30	42	10	6	11	5	N30-106	90 NBR M00109	N 100	17782	●
30	45	10	7,5	11	5,5	AUN30-109	94 AU P00925	AUN 100	14355	●
30	45	10	7,5	11	5,5	N30-107	90 NBR M00109	N 100	17694	●
30	50	12	10	13	6	AUN30-100	94 AU P00925	AUN 100	14141	●
30	50	12	10	13	6	N30-103	90 NBR M00109	N 100	16504	●
32	45	10	6,5	11	5,5	AUN32-106	94 AU P00925	AUN 100	14356	●
32	45	10	6,5	11	5,5	N32-104	90 NBR M00109	N 100	17547	●
32	50	12	9	13	6	N32-105	90 NBR M00109	N 100	17784	●
35	45	10	5	11	4,5	AUN35-112	94 AU P00925	AUN 100	14357	●
35	48	10	6,5	11	5,5	AUN35-109	94 AU P00925	AUN 100	12262	●
35	50	10	7,5	11	5,5	AUN35-110	94 AU P00925	AUN 100	14390	●
35	50	10	7,5	11	5,5	N35-106	90 NBR M00109	N 100	17910	●
35	52	12	8,5	13	6	N35-107	90 NBR M00108	N 100	18074	●
35	55	10	10	11	6	N35-100	90 NBR M00109	N 100	16563	●
35	55	12	10	13	6	AUN35-113	94 AU P00925	AUN 100	14318	●
35	55	12	10	13	6	N35-108	90 NBR M00109	N 100	17649	●
38	55	10	8,5	11	6	AUN38-103	94 AU P00925	AUN 100	14323	●
38	58	12	10	13	6	N38-102	90 NBR M00109	N 100	17789	●
40	50	10	5	11	4,5	AUN40-112	94 AU P00925	AUN 100	14398	●
40	55	9,5	7,5	10,5	5,5	N40-115	90 NBR M00109	N 100	18063	●
40	55	10	7,5	11	5,5	AUN40-113	94 AU P00925	AUN 100	14358	●
40	56	10	8	11	6	N40-111	90 NBR M00109	N 100	17662	●
40	60	12	10	13	6	N40-110	90 NBR M00109	N 100	17698	●
40	60	13	10	14	6	AUN40-105	94 AU P00925	AUN 100	14169	●
42	62	12	10	13	6	N42-101	90 NBR M00109	N 100	17935	●
45	55	10	5	11	4,5	AUN45-105	94 AU P00925	AUN 100	14359	●
45	58	10	6,5	11	5,5	N45-103	90 NBR M00109	N 100	17858	●
45	60	10	7,5	11	5,5	AUN45-104	94 AU P00925	AUN 100	14360	●
45	60	10	7,5	11	5,5	N45-109	90 NBR M00109	N 100	35153	●
45	65	12	10	13	6	AUN45-112	94 AU P00925	AUN 100	35601	●
45	65	12	10	13	6	N45-102	90 NBR M00109	N 100	16693	●
48	68	12	10	13	6	N48-100	90 NBR M00109	N 100	17625	○
50	60	10	5	11	4,5	AUN50-106	94 AU P00925	AUN 100	14361	●
50	65	10	7,5	11	5,5	AUN50-107	94 AU P00925	AUN 100	14362	●
50	65	12	7,5	13	5,5	N50-210	90 NBR M00109	N 100	18000	●
50	70	12	10	13	6	AUN50-108	94 AU P00925	AUN 100	14267	●
50	70	12	10	13	6	N50-104	90 NBR M00109	N 100	17650	●
50	75	15	12,5	16	6,5	N50-105	90 NBR M00109	N 100	17827	○
52	62	12	5	13	4,5	AUN52-102	94 AU P00925	AUN 100	12296	●
52	72	12	10	13	6	N52-101	90 NBR M00109	N 100	17755	●
55	70	12	7,5	13	5,5	AUN55-105	94 AU P00925	AUN 100	14363	●
55	75	12	10	13	6	AUN55-106	94 AU P00925	AUN 100	14364	●
55	75	12	10	13	6	N55-103	90 NBR M00109	N 100	17674	●

● Available from stock ○ On request: Tool is available, delivery at short notice

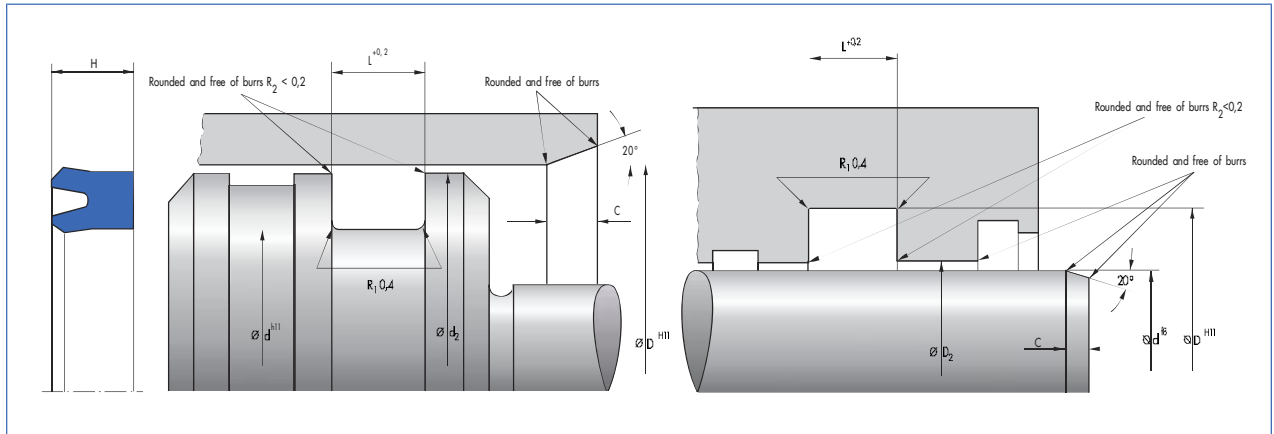


d	D	H	Profile	L	C	Code	Material	Type	Article No.	
55	80	15	12,5	16	6,5	N55-104	90 NBR M00109	N 100	17936	○
60	70	12	5	13	4,5	AUN60-104	94 AU P00925	AUN 100	14411	●
60	75	12	7,5	13	5,5	AUN60-103	94 AU P00925	AUN 100	14365	●
60	80	12	10	13	6	AUN60-107	94 AU P00925	AUN 100	34397	●
60	80	12	10	13	6	N60-101	90 NBR M00109	N 100	16850	●
60	85	15	12,5	16	6,5	N60-102	90 NBR M00109	N 100	17937	○
63	83	15	10	16	6	AUN63-100	94 AU P00925	AUN 100	13532	○
63	83	15	10	16	6	N63-101	90 NBR M00109	N 100	938	●
65	75	12	5	13	4,5	AUN65-108	94 AU P00925	AUN 100	14407	●
65	80	12	7,5	13	5,5	AUN65-105	94 AU P00925	AUN 100	14366	●
65	85	12	10	13	6	AUN65-106	94 AU P00925	AUN 100	14297	●
65	85	12	10	13	6	N65-103	90 NBR M00109	N 100	17667	●
70	80	12	5	13	4,5	AUN70-107	94 AU P00925	AUN 100	14431	●
70	85	12	7,5	13	5,5	AUN70-105	94 AU P00925	AUN 100	14367	●
70	90	12	10	13	6	AUN70-106	94 AU P00925	AUN 100	14322	●
70	90	12	10	13	6	N70-103	90 NBR M00109	N 100	17863	●
70	95	15	12,5	16	6,5	N70-104	90 NBR M00108	N 100	17938	○
75	85	12	5	13	4,5	AUN75-109	94 AU P00925	AUN 100	12185	●
75	90	12	7,5	13	5,5	AUN75-107	94 AU P00925	AUN 100	14368	●
75	95	12	10	13	6	AUN75-102	94 AU P00925	AUN 100	14478	●
75	95	12	10	13	6	N75-106	90 NBR M00109	N 100	18067	●
75	100	15	12,5	16	6,5	N75-105	90 NBR M00109	N 100	16943	○
80	90	10	5	11	4,5	AUN80-102	94 AU P00925	AUN 100	12197	●
80	95	12	7,5	13	5,5	AUN80-108	94 AU P00925	AUN 100	14369	●
80	100	12	10	13	6	AUN80-109	94 AU P00925	AUN 100	14271	●
80	100	12	10	13	6	N80-101	90 NBR M00109	N 100	16974	●
80	100	15	10	16	6	N80-105	90 NBR M00109	N 100	17636	●
80	105	15	12,5	16	6,5	N80-106	90 NBR M00108	N 100	17939	○
85	100	12	7,5	13	5,5	AUN85-104	94 AU P00925	AUN 100	12109	●
85	105	12	10	13	6	AUN85-105	94 AU P00925	AUN 100	14341	●
85	105	15	10	16	6	N85-103	90 NBR M00109	N 100	18019	●
85	110	15	12,5	16	6,5	N85-101	90 NBR M00109	N 100	16997	○
90	105	12	7,5	13	5,5	AUN90-106	94 AU P00925	AUN 100	14370	●
90	110	12	10	13	6	AUN90-107	94 AU P00925	AUN 100	14371	●
90	110	15	10	16	6	N90-104	90 NBR M00109	N 100	17856	●
90	115	15	12,5	16	6,5	N90-102	90 NBR M00109	N 100	17011	●
90	120	18	15	19	7,5	N90-105	90 NBR M00109	N 100	17940	○

● Available from stock ○ On request: Tool is available, delivery at short notice

d	D	H	Profile	L	C	Code	Material	Type	Article No.	
95	110	12	7,5	13	5,5	AUN95-104	94 AU P00925	AUN 100	14372	●
95	115	12	10	13	6	AUN95-105	94 AU P00925	AUN 100	14425	●
95	115	15	10	16	6	N95-102	90 NBR M00108	N 100	17909	●
95	120	15	12,5	16	6,5	N95-103	90 NBR M00109	N 100	17832	○
100	115	12	7,5	13	5,5	AUN100-107	94 AU P00925	AUN 100	14373	●
100	120	12	10	13	6	AUN100-108	94 AU P00925	AUN 100	14286	●
100	120	15	10	16	6	N100-104	90 NBR M00109	N 100	17697	●
100	125	15	12,5	16	6,5	N100-105	90 NBR M00109	N 100	17716	●
100	130	18	15	19	7,5	N100-106	90 NBR M00109	N 100	17825	○
105	125	15	10	16	6	AUN105-102	94 AU P00925	AUN 100	14374	●
105	130	18	12,5	19	6,5	N105-100	90 NBR M00109	N 100	17941	○
110	125	15	7,5	16	5,5	AUN110-105	94 AU P00925	AUN 100	12144	●
110	130	15	10	16	6	AUN110-104	94 AU P00925	AUN 100	14298	●
110	135	18	12,5	19	6,5	N110-102	90 NBR M00108	N 100	17719	●
110	140	18	15	19	7,5	N110-103	90 NBR M00108	N 100	17942	○
115	135	15	10	16	6	AUN115-107	94 AU P00925	AUN 100	14375	●
115	140	18	12,5	19	6,5	N115-105	90 NBR M00108	N 100	17769	●
120	140	15	10	16	6	AUN120-102	94 AU P00925	AUN 100	14311	●
120	145	18	12,5	19	6,5	N120-100	90 NBR M00109	N 100	17779	○
120	150	18	15	19	7,5	N120-101	90 NBR M00109	N 100	17943	●
125	140	15	7,5	16	5,5	AUN125-105	94 AU P00925	AUN 100	12205	●
125	145	15	10	16	6	AUN125-104	94 AU P00925	AUN 100	14386	●
125	150	18	12,5	19	6,5	N125-102	90 NBR M00109	N 100	17944	●
130	150	15	10	16	6	AUN130-106	94 AU P00925	AUN 100	14293	●
130	155	18	12,5	19	6,5	N130-104	90 NBR M00109	N 100	17945	○
130	160	18	15	19	7,5	N130-105	90 NBR M00109	N 100	17853	●
135	155	15	10	16	6	AUN135-105	94 AU P00925	AUN 100	14376	●
135	160	18	12,5	19	6,5	N135-103	90 NBR M00109	N 100	17877	●
135	165	18	15	19	7,5	N135-104	90 NBR M00108	N 100	17946	○
140	160	15	10	16	6	AUN140-103	94 AU P00925	AUN 100	14321	●
140	165	18	12,5	19	6,5	N140-101	90 NBR M00108	N 100	17855	○
140	170	18	15	19	7,5	N140-102	90 NBR M00109	N 100	17947	●
145	165	15	10	16	6	AUN145-102	94 AU P00925	AUN 100	14340	○
145	175	18	15	19	7,5	N145-101	90 NBR M00108	N 100	17949	○
150	170	15	10	16	6	AUN150-101	94 AU P00925	AUN 100	14330	●
150	180	18	15	19	7,5	N150-100	90 NBR M00108	N 100	17760	●
160	180	15	10	16	6	AUN160-104	94 AU P00925	AUN 100	14320	●
160	180	15	10	16	6	N160-105	90 NBR M00109	N 100	15937	●
160	190	22	15	23	7,5	N160-103	90 NBR M00108	N 100	17675	○
170	200	22	15	23	7,5	N170-100	90 NBR M00109	N 100	17721	●
180	200	15	10	16	6	AUN180-101	94 AU P00925	AUN 100	103817	●
180	210	22	15	23	7,5	N180-100	90 NBR M00108	N 100	17708	○
190	210	15	10	16	6	AUN190-102	94 AU P00925	AUN 100	103821	●
190	220	22	15	23	7,5	N190-101	90 NBR M00108	N 100	17736	○
200	230	22	15	23	7,5	N200-102	90 NBR M00109	N 100	17813	○
225	250	18	12,5	19	6,5	N225-101	90 NBR M00108	N 100	17976	○
230	260	22	15	23	7,5	N230-102	90 NBR M00108	N 100	17677	○
270	300	22	15	23	7,5	N270-103	90 NBR M00108	N 100	18078	○
300	330	22	15	23	7,5	N300-102	90 NBR M00108	N 100	17434	○
300	340	20	20	21	11	N300-100	90 NBR M00109	N 100	17216	○

● Available from stock ○ On request: Tool is available, delivery at short notice



d	D	H	Profile	L	C	Code	Material	Type	Article No.	
320	350	16	15	17	7,5	AUN320-100	94 AU P00925	AUN 100	103853	○
320	350	22	15	23	7,5	N320-102	90 NBR M00108	N 100	17734	○
360	390	22	15	23	7,5	AUN360-100	94 AU P00925	AUN 100	103854	○
400	430	25	15	26	7,5	N400-101	90 NBR M00109	N 100	1484	○

● Available from stock ○ On request: Tool is available, delivery at short notice

Merkel U-Ring N 1, AUN 1

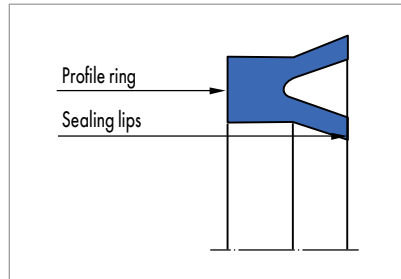


Fig. 1 Merkel U-Ring N 1, AUN 1

Product description

Merkel U-ring with symmetrical profile for rods/pistons.

Product advantages

Single-acting piston or rod seal, preferably for spare parts requirements.

Application

Special cylinders, agricultural machinery, cranes, injection moulding machines, loading platforms, standard cylinders.

Material

N 1

Material	Code	Hardness
Nitrile rubber	90 NBR 109	94 AU 925

AUN 1

Material	Code	Hardness
Polyurethane	94 AU 925	94 Shore A

Operating conditions

Material	90 NBR 109	94 AU 925
	Temperature range in °C	
Hydraulic oils HL, HLP	-30 ... +100	-30 ... +110
HFA fluids	+5 ... +60	+5 ... +50
HFB fluids	+5 ... +60	+5 ... +50
HFC fluids	-30 ... +60	-30 ... +40
HFD fluids	-	-
Water	+5 ... +90	+5 ... +40
HETG (rapeseed oil)	-30 ... +80	-30 ... +60
HEES (synthetic ester)	-	-30 ... +80
HEPG (glycol)	-30 ... +60	-30 ... +40
Mineral greases	-30 ... +100	-30 ... +110
Pressure p in MPa	10 MPa	20 MPa
Running speed v in m/s	0,5	

Surface quality

Surface roughness	R _a	R _{max}
Sliding surface	0,05 ... 0,3 µm	≤2,5 µm
Groove base	≤1,6 µm	≤6,3 µm
Groove flanks	≤3,0 µm	≤15,0 µm

Percentage contact area M_p >50% to max. 90% at cutting depth c = Rz/2 and reference line C ref = 0%.

Design notes

Please observe our general design notes in → Technical Manual.

Gap dimension

The decisive factor for the function of the seal is the largest gap dimension occurring during operation on the non-pressurised side of the seal. → Technical Manual.

N 1 (material 90 NBR 109)

Profile	Max. permissible gap dimension			
	2,5 MPa	5 MPa	7,5 MPa	10 MPa
≤5,0	0,45	0,35	0,30	0,25
>5,0	0,50	0,40	0,35	0,30

AUN 1 (material 94 AU 925)

Profile	Max. permissible gap dimension			
	5 MPa	10 MPa	20 MPa	10 MPa
≤5,0	0,55	0,40	0,35	0,25
>5,0	0,66	0,45	0,40	0,30

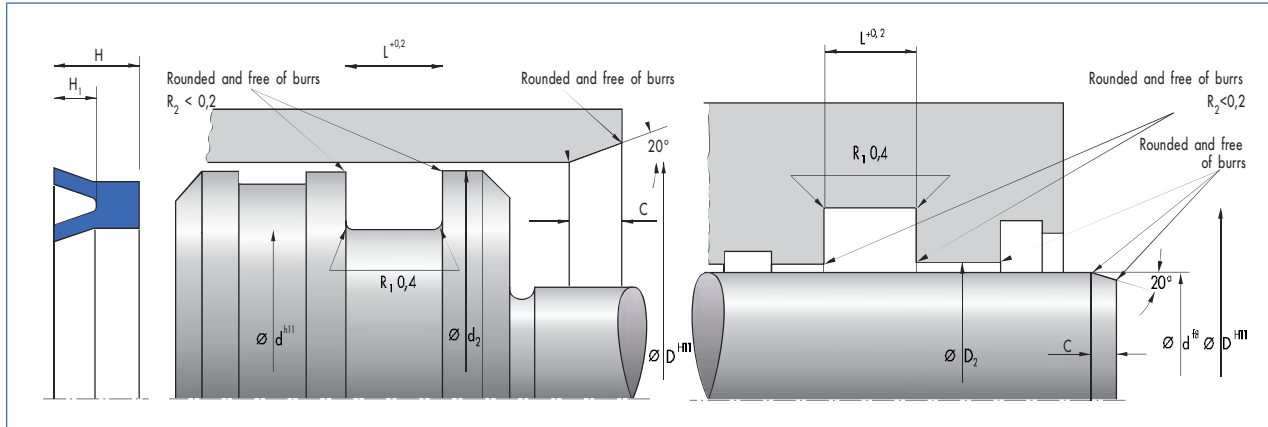
Tolerance recommendation and dimension D2/d2

The admissible gap width, tolerances, guide play and deflection of the guide under load are to be taken into account when designing D2 (rod seal) or d2 (piston seal). → Technical Manual.

Fitting & installation

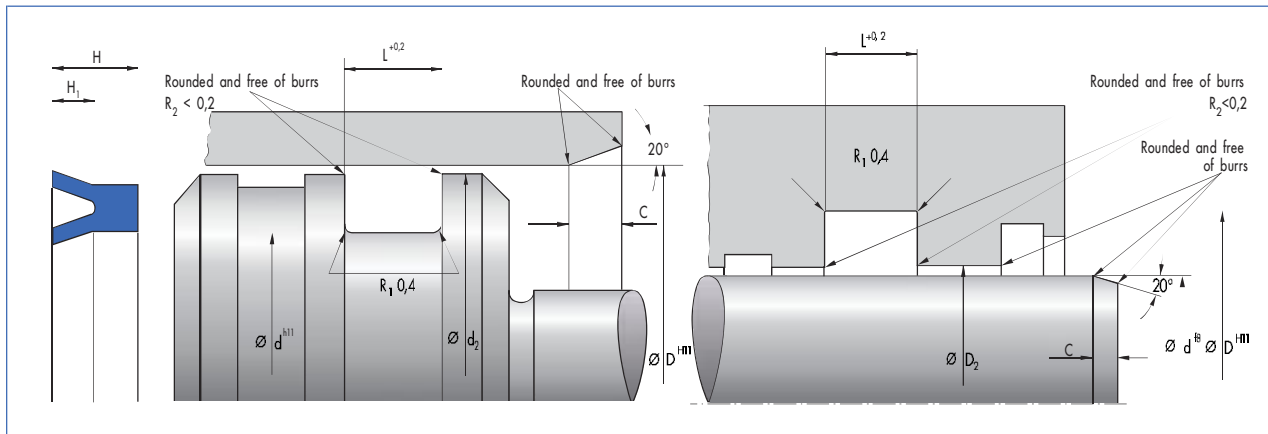
Careful fitting is a prerequisite for the correct function of the seal. → Technical Manual. Note: the use of male adaptors increases the reliability. Further information is available on enquiry.

Article list



d	D	H	H ₁	L	C	Code	Material	Type	Article No.	
2	10	3,8	1,8	4,5	3,5	N2-1	90 NBR M00109	N 1	15946	●
3	7	5	3,5	6	2	N3-2	90 NBR M00109	N 1	15949	●
3	8,5	4	2	4,7	2	N3-1	90 NBR M00109	N 1	15948	●
4	10	4	2	4,7	2,5	AUN4-11	94 AU P00925	AUN 1	13916	●
4	10	4	2	4,7	2,5	N4-1	90 NBR M00109	N 1	15956	●
4	12	4	2	4,7	3,5	N4-2	90 NBR M00109	N 1	15957	●
5	11	5	2,8	6	2,5	N5-8	90 NBR M00109	N 1	15980	●
5	12	5	2,2	6	3	N5-2	90 NBR M00109	N 1	15974	●
5	12	5	3	6	3	AUN5-12	94 AU P00925	AUN 1	14307	●
5	14	4,5	2,3	5,2	4,5	N5-3	90 NBR M00109	N 1	11657	●
5	15	5	2,5	6	4	N5-6	90 NBR M00109	N 1	15977	●
6	12	4	2	4,7	2,5	N6-9	90 NBR M00109	N 1	15999	●
6	12	6	3,5	7	2,5	AUN6-23	94 AU P00925	AUN 1	14401	●
6	12	6	3,5	7	2,5	N6-15	90 NBR M00109	N 1	16007	●
6	15	5	2,5	6	4,5	N6-11	90 NBR M00109	N 1	16001	●
6	15	8	4	9	4,5	AUN6-17	94 AU P00925	AUN 1	11760	●
6	16	5	2,5	6	4	N6-7	90 NBR M00109	N 1	15996	●
6	18	8	4	9	5	N6-2	90 NBR M00109	N 1	15992	●
6	20	8	4	9	5,5	N6-1	90 NBR M00108	N 1	15991	○
6	22	8	3,5	9	6	N6-10	90 NBR M00109	N 1	16000	○
7	14	3,5	1,75	4	3	N7-2	90 NBR M00109	N 1	16020	●
7	15	5	2,5	6	3,5	N7-1	90 NBR M00109	N 1	16019	●
7	15	7	4,5	8	4	AUN7-4	94 AU P00925	AUN 1	13626	●
8	14	4	2	4,7	2,5	N8-12	90 NBR M00109	N 1	16039	●
8	14	6	3	7	2,5	AUN8-31	94 AU P00925	AUN 1	11768	●
8	14	6	3	7	2,5	N8-6	90 NBR M00109	N 1	16033	●
8	15	6	3,8	7	3	N8-2	90 NBR M00109	N 1	16030	●
8	16	4	2	4,7	3,5	N8-13	90 NBR M00109	N 1	16040	●
8	16	6	3	7	3,5	N8-1	90 NBR M00109	N 1	16029	●
8	16	6	3,5	7	4	AUN8-21	94 AU P00925	AUN 1	11766	●
8	17	6	3	7	4,5	N8-17	90 NBR M00109	N 1	16044	●
8	18	8	4,5	9	4,5	N8-15	90 NBR M00109	N 1	16042	●
8	22	8	4	9	5,5	AUN8-20	94 AU P00925	AUN 1	14041	○
8	22	8	4	9	5,5	N8-11	90 NBR M00109	N 1	16037	○
8	25	6	2,5	7	6	AUN8-25	94 AU P00925	AUN 1	13630	○

● Available from stock ○ On request: Tool is available, delivery at short notice

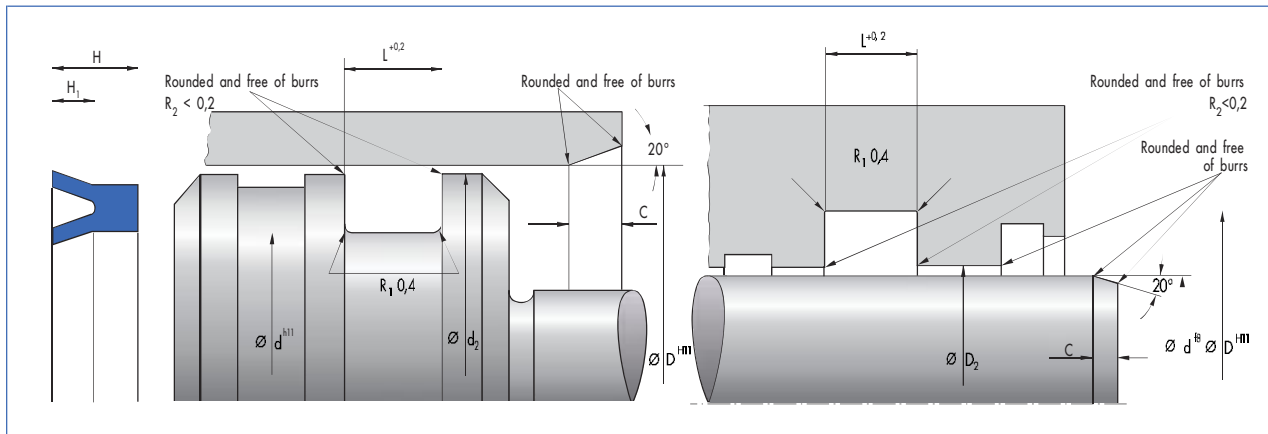


d	D	H	H ₁	L	C	Code	Material	Type	Article No.	
9	17	6	3	7	4	N9-2	90 NBR M00109	N 1	16049	●
10	15	5	2,2	6	2	N10-6	90 NBR M00109	N 1	16062	●
10	15	5	2,5	6	2	N10-22	90 NBR M00109	N 1	16075	●
10	16	4	2	4,7	2,5	N10-17	90 NBR M00109	N 1	16070	●
10	16	5	2,5	6	2,5	N10-37	90 NBR M00109	N 1	16078	●
10	16	6	4	7	2,5	AUN10-33	94 AU P00925	AUN 1	13641	●
10	18	5	2,5	6	4	N10-15	90 NBR M00109	N 1	16068	●
10	18	8	5	9	4	AUN10-31	94 AU P00925	AUN 1	13640	●
10	20	8	4	9	4,5	AUN10-34	94 AU P00925	AUN 1	13642	●
10	22	6	3	7	5	AUN10-30	94 AU P00925	AUN 1	13639	●
10	22	6	3	7	5	N10-8	90 NBR M00109	N 1	16064	●
10	25	6	3	7	5,5	N10-19	90 NBR M00109	N 1	16072	●
10	25	8	4	9	5,5	N10-16	90 NBR M00109	N 1	16069	○
10	26	8	4	9	6	N10-14	90 NBR M00109	N 1	16067	○
10	28	8	3	9	6	N10-1	90 NBR M00109	N 1	16059	○
10	28	9	4	10	6	AUN10-46	94 AU P00925	AUN 1	11780	○
10	30	10	5	11	6	N10-2	90 NBR M00109	N 1	16060	○
10	32	10	5	11	6	N10-26	90 NBR M00109	N 1	16076	○
12	18	4	2	4,7	2,5	N12-17	90 NBR M00109	N 1	16104	●
12	18	5	2	6	2,5	N12-24	90 NBR M00109	N 1	16109	●
12	18	6	4	7	2,5	AUN12-47	94 AU P00925	AUN 1	13658	●
12	20	8	5	9	4	AUN12-39	94 AU P00925	AUN 1	14273	●
12	20	8	5	9	4	N12-66	90 NBR M00109	N 1	18035	●
12	22	5	2,5	6	4,5	AUN12-49	94 AU P00925	AUN 1	13660	○
12	22	5	2,5	6	4,5	N12-34	90 NBR M00109	N 1	16117	●
12	22	7	3	8	4,5	N12-36	90 NBR M00109	N 1	16120	●
12	22	8	5	9	4,5	AUN12-43	94 AU P00925	AUN 1	13655	●
12	24	6	3	7	5	N12-10	90 NBR M00109	N 1	16102	●
12	24	9	6	10	5	AUN12-45	94 AU P00925	AUN 1	14256	●
12	25	8	4	9	5,5	AUN12-41	94 AU P00925	AUN 1	14053	●
12	25	8	4	9	5,5	N12-25	90 NBR M00109	N 1	16110	●
12	26	8	4	9	5,5	N12-6	90 NBR M00108	N 1	16098	●
12	28	10	5	11	6	N12-8	90 NBR M00109	N 1	16100	●
12	30	9	4,5	10	6	AUN12-40	94 AU P00925	AUN 1	14052	○
12	30	9	4,5	10	6	N12-19	90 NBR M00109	N 1	16105	○
12	34	10	5	11	6	N12-30	90 NBR M00109	N 1	16112	○
13	20	3	1,5	3,6	3	N13-10	90 NBR M00109	N 1	16143	●

● Available from stock ○ On request: Tool is available, delivery at short notice

d	D	H	H ₁	L	C	Code	Material	Type	Article No.	
13	24	6	3	7	4,5	N13-5	90 NBR M00109	N 1	16139	●
13	30	10	5	11	6	N13-2	90 NBR M00108	N 1	16135	○
14	20	4	2	4,7	2,5	N14-8	90 NBR M00109	N 1	16152	●
14	22	4	2	4,7	4	N14-6	90 NBR M00109	N 1	16151	●
14	22	6	3	7	4	N14-12	90 NBR M00109	N 1	16156	●
14	22	6	3,5	7	4	AUN14-21	94 AU P00925	AUN 1	14059	●
14	22	8	4,5	9	4	AUN14-23	94 AU P00925	AUN 1	13667	●
14	22	8	4,5	9	4	N14-11	90 NBR M00109	N 1	16155	●
14	30	8	4	9	6	AUN14-19	94 AU P00925	AUN 1	13664	○
14	30	8	4	9	6	N14-10	90 NBR M00109	N 1	16154	●
14	32	10	5	11	6	N14-4	90 NBR M00108	N 1	16150	○
15	20	3	1,5	3,6	2	N15-11	90 NBR M00109	N 1	16179	●
15	22	4	2	4,7	3	N15-12	90 NBR M00109	N 1	16180	●
15	24	7	3,5	8	4,5	N15-9	90 NBR M00109	N 1	16177	●
15	25	5	2,5	6	4,5	N15-5	90 NBR M00109	N 1	16174	●
15	25	8	5	9	4,5	AUN15-23	94 AU P00925	AUN 1	11797	●
15	28	10	2,5	11	5,5	N15-1	90 NBR M00109	N 1	16172	●
15	30	8	4	9	5,5	AUN15-24	94 AU P00925	AUN 1	13675	○
15	30	8	4	9	5,5	N15-8	90 NBR M00109	N 1	16176	●
15	35	10	5	11	6	N15-2	90 NBR M00108	N 1	16173	○
16	22	4	2	4,7	2,5	AUN16-37	94 AU P00925	AUN 1	11803	●
16	22	4	2	4,7	2,5	N16-19	90 NBR M00109	N 1	16201	●
16	22	6	3	7	2,5	N16-5	90 NBR M00109	N 1	16194	●
16	25	5	2,2	6	4,5	N16-55	90 NBR M00109	N 1	16216	●
16	26	5	2,5	6	4,5	AUN16-40	94 AU P00925	AUN 1	14078	●
16	26	5	2,5	6	4,5	N16-4	90 NBR M00109	N 1	16192	●
16	28	6	3	7	5	AUN16-27	94 AU P00925	AUN 1	13679	●
16	29	6	3	7	5,5	N16-18	90 NBR M00109	N 1	16200	●
16	30	6	3	7	5,5	N16-42	90 NBR M00109	N 1	16207	●
16	32	8	4	9	6	AUN16-29	94 AU P00925	AUN 1	13680	●
16	32	8	4	9	6	N16-15	90 NBR M00109	N 1	16199	●
16	32	11	0	12	6	N16-2	90 NBR M00109	N 1	16190	●
16	35	9	4,5	10	6	AUN16-38	94 AU P00925	AUN 1	14076	○
16	36	10	5	11	6	N16-11	90 NBR M00109	N 1	16197	○
17	35	10	5	11	6	AUN17-9	94 AU P00925	AUN 1	14080	○
18	24	4	2	4,7	2,5	N18-15	90 NBR M00109	N 1	16233	●
18	24	5	2,2	6	2,5	N18-9	90 NBR M00109	N 1	16230	●
18	25	4	2	4,7	3	N18-14	90 NBR M00109	N 1	16232	●
18	26	4	2	4,7	4	N18-17	90 NBR M00109	N 1	16235	●
18	28	8	5,2	9	4,5	AUN18-30	94 AU P00925	AUN 1	13689	●
18	28	8	5,2	9	4,5	N18-8	90 NBR M00109	N 1	17422	●
18	30	6	3	7	5	N18-19	90 NBR M00109	N 1	16238	●
18	30	8	5	9	5	AUN18-38	94 AU P00925	AUN 1	14088	●
18	32	7	3,5	8	5,5	AUN18-29	94 AU P00925	AUN 1	14084	●
18	32	7	3,5	8	5,5	N18-16	90 NBR M00109	N 1	16234	○
18	34	8	4	9	6	AUN18-31	94 AU P00925	AUN 1	11808	○
18	34	8	4	9	6	N18-3	90 NBR M00109	N 1	16227	○
18	35	8,5	4,3	9,5	6	AUN18-33	94 AU P00925	AUN 1	14086	●
18	35	8,5	4,3	9,5	6	N18-24	90 NBR M00108	N 1	16241	○
18	38	10	5	11	6	N18-5	90 NBR M00109	N 1	16228	●

● Available from stock ○ On request: Tool is available, delivery at short notice

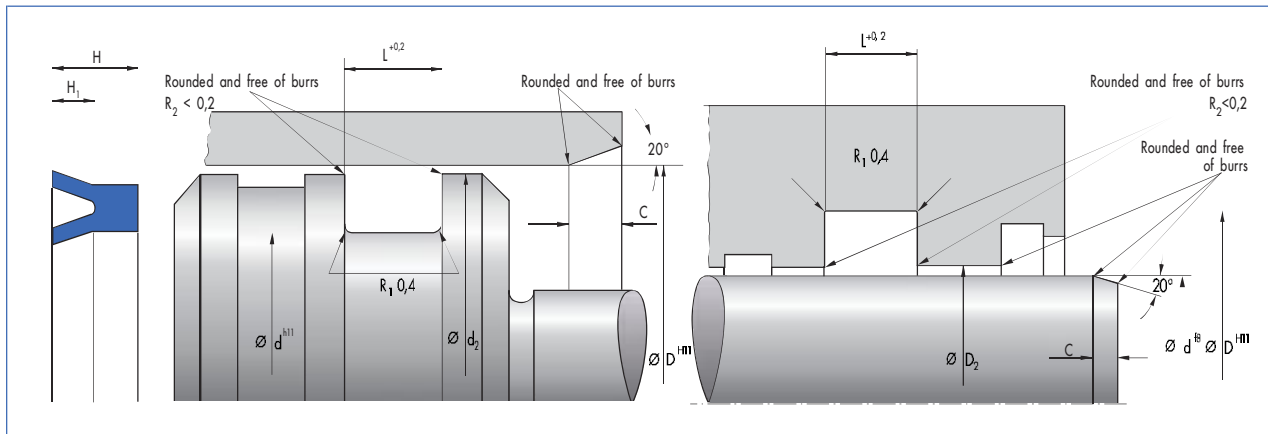


d	D	H	H ₁	L	C	Code	Material	Type	Article No.	
19	26	5	3	6	3	N19-5	90 NBR M00109	N 1	16273	●
19	34	8	4	9	5,5	N19-4	90 NBR M00109	N 1	16272	●
20	28	4	2	4,7	4	N20-29	90 NBR M00109	N 1	16294	●
20	28	8	5	9	4	AUN20-47	94 AU P00925	AUN 1	11818	●
20	30	8	4	9	4,5	AUN20-45	94 AU P00925	AUN 1	11817	●
20	30	8	4	9	4,5	N20-19	90 NBR M00109	N 1	16289	●
20	32	7,5	3,8	8,5	5	AUN20-60	94 AU P00925	AUN 1	14098	●
20	32	7,5	3,8	8,5	5	N20-33	90 NBR M00109	N 1	16297	●
20	33	6	3	7	5,5	N20-28	90 NBR M00109	N 1	16293	●
20	35	10	6	11	5,5	N20-42	90 NBR M00109	N 1	17965	●
20	36	8	4	9	6	AUN20-51	94 AU P00925	AUN 1	14378	●
20	36	8	4	9	6	N20-1	90 NBR M00109	N 1	16279	●
20	40	10	5	11	6	AUN20-49	94 AU P00925	AUN 1	14091	●
20	40	10	5	11	6	N20-18	90 NBR M00109	N 1	16288	●
20	45	12	6	13	6,5	AUN20-53	94 AU P00925	AUN 1	14093	○
20	45	12	6	13	6,5	N20-22	90 NBR M00109	N 1	17458	●
22	28	5	2,5	6	2,5	N22-22	90 NBR M00109	N 1	16339	●
22	28	8	5	9	2,5	AUN22-35	94 AU P00925	AUN 1	11834	○
22	30	6	3	7	4	AUN22-29	94 AU P00925	AUN 1	11833	●
22	30	6	3	7	4	N22-4	90 NBR M00109	N 1	16321	●
22	32	5	2,5	6	4,5	N22-13	90 NBR M00109	N 1	16334	●
22	34	6	3	7	5	AUN22-28	94 AU P00925	AUN 1	11832	○
22	34	6	3	7	5	N22-12	90 NBR M00109	N 1	16333	●
22	35	7	3	8	5,5	N22-24	90 NBR M00109	N 1	16340	●
22	35	8	4	9	5,5	AUN22-34	94 AU P00925	AUN 1	14106	●
22	36	8	4	9	5,5	N22-25	90 NBR M00108	N 1	16341	○
22	38	8	4	9	6	N22-8	90 NBR M00108	N 1	16324	●
22	40	10	5	11	6	AUN22-27	94 AU P00925	AUN 1	14104	○
22	40	10	5	11	6	N22-5	90 NBR M00109	N 1	16322	○
22	46	12	6	13	6	N22-11	90 NBR M00109	N 1	16332	○
23	32	5	2,5	6	4,5	N23-6	90 NBR M00108	N 1	16366	●
23	35	10	5	11	5	AUN23-5	94 AU P00925	AUN 1	11844	●
23	35	10	5	11	5	N23-3	90 NBR M00109	N 1	16364	○
23	43	10	5	11	6	N23-2	90 NBR M00109	N 1	16363	○
24	30	5	2,5	6	2,5	N24-16	90 NBR M00109	N 1	16383	●
24	31	5	2,5	6	3	N24-6	90 NBR M00109	N 1	16378	●
24	31	5	3,5	6	3	AUN24-28	94 AU P00925	AUN 1	11849	●

● Available from stock ○ On request: Tool is available, delivery at short notice

d	D	H	H ₁	L	C	Code	Material	Type	Article No.	
24	32	4	2	4,7	4	N24-8	90 NBR M00109	N 1	16379	●
24	32	7	4,5	8	4	AUN24-30	94 AU P00925	AUN 1	11850	●
24	34	5	2,5	6	4,5	N24-17	90 NBR M00109	N 1	16384	●
24	37	6	3	7	5,5	N24-22	90 NBR M00109	N 1	16386	●
24	40	8	4	9	6	AUN24-26	94 AU P00925	AUN 1	14255	●
24	40	8	4	9	6	N24-5	90 NBR M00109	N 1	16377	○
24	44	10	5	11	6	N24-20	90 NBR M00108	N 1	16385	○
24	50	12	6	13	6,5	AUN24-27	94 AU P00925	AUN 1	14111	●
24	50	12	6	13	6,5	N24-9	90 NBR M00109	N 1	16380	○
25	33	7	4,5	8	4	N25-22	90 NBR M00109	N 1	16400	●
25	35	5	2,5	6	4,5	AUN25-40	94 AU P00925	AUN 1	11856	●
25	35	5	2,5	6	4,5	N25-18	90 NBR M00109	N 1	16399	●
25	35	8	5	9	4,5	AUN25-28	94 AU P00925	AUN 1	11854	●
25	35	8	5	9	4,5	N25-35	90 NBR M00109	N 1	18116	●
25	38	7	3,5	8	5,5	N25-27	90 NBR M00109	N 1	16401	●
25	40	6	2,5	7	5,5	N25-12	90 NBR M00109	N 1	16397	●
25	40	11	7,5	12	5,5	AUN25-26	94 AU P00925	AUN 1	11853	●
25	42	8,5	4,25	9,5	6	AUN25-10	94 AU P00925	AUN 1	14116	●
25	42	8,5	4,25	9,5	6	N25-10	90 NBR M00109	N 1	16395	●
25	45	10	5	11	6	AUN25-24	94 AU P00925	AUN 1	11852	○
25	45	10	5	11	6	N25-6	90 NBR M00109	N 1	16393	●
25	50	12	6	13	6,5	AUN25-25	94 AU P00925	AUN 1	14115	○
25	50	12	6	13	6,5	N25-1	90 NBR M00109	N 1	16391	○
26	38	6	3	7	5	N26-14	90 NBR M00109	N 1	16428	●
26	42	8	4	9	6	N26-2	90 NBR M00109	N 1	16422	○
27	36	6	3	7	4,5	N27-2	90 NBR M00109	N 1	16444	●
28	38	5	2,5	6	4,5	N28-12	90 NBR M00109	N 1	16461	●
28	38	8	4	9	4,5	AUN28-34	94 AU P00925	AUN 1	14131	●
28	44	8	4	9	6	AUN28-36	94 AU P00925	AUN 1	12310	○
28	44	8	4	9	6	N28-17	90 NBR M00109	N 1	16464	●
28	46	10	5	11	6	AUN28-30	94 AU P00925	AUN 1	14127	○
28	46	10	5	11	6	N28-6	90 NBR M00109	N 1	16456	●
28	48	10	5	11	6	N28-10	90 NBR M00109	N 1	16459	●
29	45	8	4	9	6	N29-2	90 NBR M00108	N 1	16479	○
30	37	8	4,5	9	3	N30-7	90 NBR M00109	N 1	16487	●
30	37	8	5	9	3	AUN30-35	94 AU P00925	AUN 1	12319	●
30	40	5	2,5	6	4,5	AUN30-38	94 AU P00925	AUN 1	12322	●
30	40	5	2,5	6	4,5	N30-17	90 NBR M00109	N 1	16493	●
30	41	8	5,5	9	4,5	N30-27	90 NBR M00108	N 1	16497	○
30	45	10	5	11	5,5	AUN30-29	94 AU P00925	AUN 1	12317	●
30	45	10	5	11	5,5	N30-11	90 NBR M00109	N 1	16490	●
30	48	9	4,5	10	6	N30-26	90 NBR M00109	N 1	16496	○
30	50	10	5	11	6	AUN30-28	94 AU P00925	AUN 1	14137	●
30	50	10	5	11	6	N30-6	90 NBR M00109	N 1	16486	●
30	55	12	6	13	6,5	N30-5	90 NBR M00109	N 1	16485	●
30	55	15	7,5	16	6,5	N30-4	90 NBR M00108	N 1	16484	○
32	40	4	2	4,7	4	N32-17	90 NBR M00109	N 1	16510	●
32	40	7	5	8	4	N32-28	90 NBR M00109	N 1	16517	●
32	44	6	3	7	5	N32-19	90 NBR M00109	N 1	16512	●
32	45	6,5	3,2	7,5	5,5	AUN32-37	94 AU P00925	AUN 1	14147	○

● Available from stock ○ On request: Tool is available, delivery at short notice

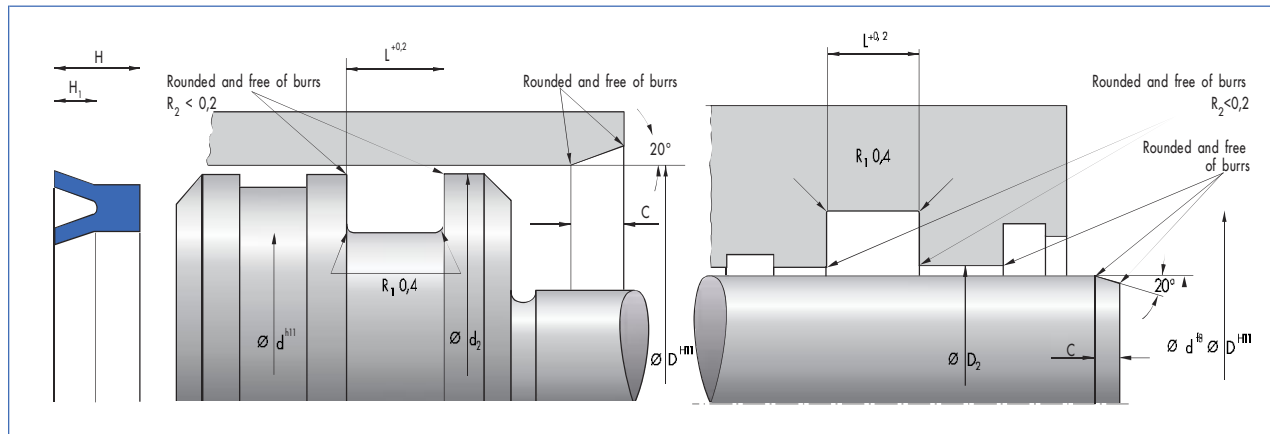


d	D	H	H ₁	L	C	Code	Material	Type	Article No.	
32	45	6,5	3,2	7,5	5,5	N32-18	90 NBR M00109	N 1	16511	●
32	48	8	2,5	9	6	N32-2	90 NBR M00109	N 1	16506	●
32	48	8	4	9	6	N32-22	90 NBR M00109	N 1	16514	●
32	50	10	5	11	6	AUN32-39	94 AU P00925	AUN 1	14149	●
32	50	10	5	11	6	N32-24	90 NBR M00109	N 1	16516	●
32	52	10	5	11	6	AUN32-33	94 AU P00925	AUN 1	14145	○
32	52	10	5	11	6	N32-15	90 NBR M00109	N 1	16508	●
33	43	6	3	7	4,5	N33-7	90 NBR M00109	N 1	16534	●
34	45	7	3,5	8	4,5	AUN34-10	94 AU P00925	AUN 1	12341	○
35	45	6	2,5	7	4,5	N35-5	90 NBR M00109	N 1	16547	●
35	45	6	3	7	4,5	N35-14	90 NBR M00109	N 1	16552	●
35	45	8	5	9	4,5	AUN35-25	94 AU P00925	AUN 1	12344	●
35	50	8	4	9	5,5	N35-16	90 NBR M00109	N 1	16553	●
35	51	8	4	9	6	N35-9	90 NBR M00109	N 1	16549	●
35	55	10	5	11	6	AUN35-20	94 AU P00925	AUN 1	14152	●
35	55	10	5	11	6	N35-6	90 NBR M00109	N 1	11664	●
35	56	10	5	11	6	N35-31	90 NBR M00108	N 1	16559	○
35	60	12	6	13	6,5	AUN35-22	94 AU P00925	AUN 1	14154	○
35	60	12	6	13	6,5	N35-11	90 NBR M00108	N 1	16550	●
36	46	6	3	7	4,5	N36-7	90 NBR M00109	N 1	16571	●
36	48	6	3	7	5	N36-34	90 NBR M00109	N 1	16568	●
36	50	7	3,5	8	5,5	N36-9	90 NBR M00109	N 1	16573	●
36	55	10	5	11	6	N36-1	90 NBR M00109	N 1	16566	●
38	50	6	3	7	5	N38-5	90 NBR M00109	N 1	16586	●
38	50	9	6	10	5	AUN38-16	94 AU P00925	AUN 1	13758	●
38	58	10	5	11	6	AUN38-17	94 AU P00925	AUN 1	14165	●
38	58	10	5	11	6	N38-6	90 NBR M00109	N 1	16587	●
38	60	12	6	13	6	N38-14	90 NBR M00109	N 1	16593	○
39	45	4	2	4,7	2,5	N39-3	90 NBR M00108	N 1	16600	○
40	46	4	2	4,7	2,5	N40-25	90 NBR M00109	N 1	16619	●
40	48	8	5	9	4	N40-50	90 NBR M00109	N 1	16629	●
40	50	5	2,5	6	4,5	N40-17	90 NBR M00109	N 1	16615	●
40	50	8	5	9	4,5	AUN40-56	94 AU P00925	AUN 1	14179	●
40	50	9	0	10	4	N40-219	90 NBR M00109	N 1	18024	●
40	52	8	4	9	5	N40-45	90 NBR M00109	N 1	16627	●
40	55	10	5	11	5,5	N40-52	90 NBR M00109	N 1	16630	●
40	56	8	4	9	6	N40-12	90 NBR M00109	N 1	16611	●

● Available from stock ○ On request: Tool is available, delivery at short notice

d	D	H	H ₁	L	C	Code	Material	Type	Article No.	
40	56	10	5	11	6	AUN40-54	94 AU P00925	AUN 1	14177	●
40	56	10	5	11	6	N40-29	90 NBR M00109	N 1	16621	●
40	60	10	5	11	6	AUN40-47	94 AU P00925	AUN 1	14174	●
40	60	10	5	11	6	N40-9	90 NBR M00109	N 1	16610	●
40	64	12	6	13	6	N40-22	90 NBR M00108	N 1	16617	○
40	65	12	6	13	6,5	AUN40-41	94 AU P00925	AUN 1	14176	●
40	65	12	6	13	6,5	N40-5	90 NBR M00109	N 1	16608	●
40	70	15	7,5	16	7,5	N40-6	90 NBR M00108	N 1	16609	○
40	80	20	10	21	11	N40-14	90 NBR M00109	N 1	16612	○
42	50	6	3	7	4	N42-13	90 NBR M00109	N 1	16654	●
42	55	6,5	3,25	7,5	5,5	N42-5	90 NBR M00109	N 1	16649	●
42	62	10	5	11	6	N42-10	90 NBR M00109	N 1	16652	●
43	63	10	5	11	6	N43-1	90 NBR M00109	N 1	16657	○
44	55	6	3	7	4,5	N44-5	90 NBR M00109	N 1	16661	●
45	52	8	4,5	9	3	N45-4	90 NBR M00109	N 1	16672	●
45	57	6	3	7	5	N45-13	90 NBR M00109	N 1	16679	●
45	58	6,5	3,2	7,5	5,5	N45-9	90 NBR M00109	N 1	16677	●
45	63	10	5	11	6	AUN45-30	94 AU P00925	AUN 1	14192	●
45	63	10	5	11	6	N45-5	90 NBR M00109	N 1	16673	●
45	65	10	5	11	6	AUN45-25	94 AU P00925	AUN 1	14188	●
45	65	10	5	11	6	N45-6	90 NBR M00109	N 1	16674	●
45	70	12	6	13	6,5	AUN45-29	94 AU P00925	AUN 1	14191	○
45	70	12	6	13	6,5	N45-8	90 NBR M00109	N 1	16676	○
48	60	6	3	7	5	N48-4	90 NBR M00109	N 1	16707	●
48	60	9	6	10	5	AUN48-27	94 AU P00925	AUN 1	13789	●
48	65	10	5	11	6	N48-17	90 NBR M00108	N 1	16715	●
48	68	10	5	11	6	N48-7	90 NBR M00109	N 1	16709	●
49	65	8	3	9	6	N49-2	90 NBR M00109	N 1	16722	○
50	56	8	5,8	9	2,5	N50-28	90 NBR M00109	N 1	11666	●
50	60	10	6	11	4,5	N50-31	90 NBR M00109	N 1	16740	●
50	62	6	3	7	5	N50-23	90 NBR M00109	N 1	16735	●
50	62	9	6	10	5	AUN50-47	94 AU P00925	AUN 1	14211	●
50	63	6	3	7	5,5	AUN50-50	94 AU P00925	AUN 1	13799	●
50	70	10	5	11	6	AUN50-41	94 AU P00925	AUN 1	14207	●
50	70	10	5	11	6	N50-6	90 NBR M00109	N 1	16728	●
50	70	18	12	19	6	AUN50-49	94 AU P00925	AUN 1	14212	●
50	72	12	6	13	6	N50-10	90 NBR M00109	N 1	16730	●
50	74	12	6	13	6	N50-20	90 NBR M00109	N 1	16734	○
50	75	12,5	6,25	13,5	6,5	AUN50-45	94 AU P00925	AUN 1	14210	○
50	80	15	7,5	16	7,5	N50-5	90 NBR M00109	N 1	16727	○
51	63	6	3	7	5	N51-2	90 NBR M00109	N 1	16755	●
52	62	6	3	7	4,5	N52-9	90 NBR M00109	N 1	16763	●
52	70	9	4,5	10	6	AUN52-14	94 AU P00925	AUN 1	14250	○
53	65	6	2,5	7	5	AUN53-5	94 AU P00925	AUN 1	12297	●
53	65	10	3	11	5	N53-2	90 NBR M00109	N 1	16768	○
55	65	5	2,5	6	4,5	N55-26	90 NBR M00109	N 1	16787	●
55	68	6,5	3,2	7,5	5,5	N55-16	90 NBR M00109	N 1	16783	●
55	70	7,5	3,7	8,5	5,5	N55-17	90 NBR M00109	N 1	16784	●
55	75	10	5	11	6	AUN55-31	94 AU P00925	AUN 1	14227	●
55	75	10	5	11	6	N55-5	90 NBR M00109	N 1	16778	●

● Available from stock ○ On request: Tool is available, delivery at short notice

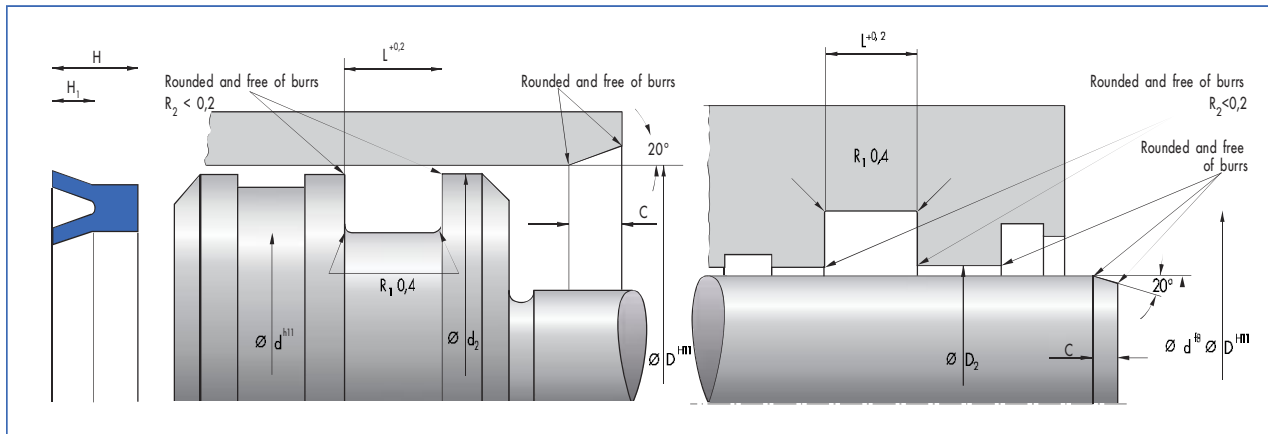


d	D	H	H ₁	L	C	Code	Material	Type	Article No.	
55	80	12	6	13	6,5	N55-8	90 NBR M00109	N 1	16780	○
55	85	15	7,5	16	7,5	N55-23	90 NBR M00108	N 1	16786	○
58	70	6	3	7	5	N58-6	90 NBR M00109	N 1	16806	●
60	68	8	4,5	9	4	N60-5	90 NBR M00109	N 1	16820	●
60	68	8	5,5	9	4	AUN60-44	94 AU P00925	AUN 1	12157	○
60	72	6	3	7	5	AUN60-35	94 AU P00925	AUN 1	14448	○
60	74	7	3,5	8	5,5	N60-17	90 NBR M00108	N 1	16828	●
60	80	10	5	11	6	AUN60-37	94 AU P00925	AUN 1	14450	●
60	80	10	5	11	6	N60-3	90 NBR M00109	N 1	16818	●
60	80	18	12	19	6	AUN60-42	94 AU P00925	AUN 1	14454	●
60	84	12	6	13	6	N60-16	90 NBR M00109	N 1	16827	○
60	85	12	6	13	6,5	N60-12	90 NBR M00109	N 1	16825	○
60	85	12,5	6,25	13,5	6,5	AUN60-41	94 AU P00925	AUN 1	14453	○
60	90	15	7,5	16	7,5	N60-23	90 NBR M00109	N 1	16831	○
61	73	6	3	7	5	N61-1	90 NBR M00109	N 1	16852	○
62	78	8	4	9	6	N62-11	90 NBR M00109	N 1	16858	●
62	82	10	5	11	6	N62-4	90 NBR M00109	N 1	16855	○
63	93	15	7,5	16	7,5	N63-1	90 NBR M00108	N 1	16865	○
64	80	8	4	9	6	N64-1	90 NBR M00109	N 1	16870	●
65	80	7,5	3,7	8,5	5,5	N65-12	90 NBR M00109	N 1	16882	●
65	80	11	7,5	12	5,5	AUN65-27	94 AU P00925	AUN 1	14240	○
65	85	10	5	11	6	AUN65-26	94 AU P00925	AUN 1	14251	●
65	85	10	5	11	6	N65-10	90 NBR M00109	N 1	16880	○
65	90	12	6	13	6,5	N65-7	90 NBR M00109	N 1	16879	○
66	76	10	6	11	4,5	N66-2	90 NBR M00109	N 1	16887	●
68	78	10	6	11	4,5	N68-9	90 NBR M00109	N 1	16896	○
68	80	6	2,5	7	5	AUN68-10	94 AU P00925	AUN 1	14461	●
68	80	12	6	13	5	N68-7	90 NBR M00109	N 1	16893	●
70	82	12	7,5	13	5	N70-12	90 NBR M00109	N 1	16905	○
70	85	7,5	3,7	8,5	5,5	N70-6	90 NBR M00109	N 1	16902	●
70	90	10	5	11	6	N70-1	90 NBR M00109	N 1	16899	●
70	90	18	12	19	6	AUN70-20	94 AU P00925	AUN 1	14465	●
70	95	12	6	13	6,5	AUN70-21	94 AU P00925	AUN 1	14466	○
70	95	12	6	13	6,5	N70-2	90 NBR M00109	N 1	16900	○
70	100	15	7,5	16	7,5	N70-5	90 NBR M00108	N 1	16901	○
72	84	6	3	7	5	N72-5	90 NBR M00109	N 1	16922	●
74	80	8	5,5	9	2,5	N74-2	90 NBR M00109	N 1	16932	○

● Available from stock ○ On request: Tool is available, delivery at short notice

d	D	H	H ₁	L	C	Code	Material	Type	Article No.	
75	90	7,5	3,7	8,5	5,5	AUN75-28	94 AU P00925	AUN 1	12182	●
75	90	7,5	3,7	8,5	5,5	N75-12	90 NBR M00109	N 1	17431	●
75	95	10	5	11	6	N75-6	90 NBR M00109	N 1	16935	●
75	100	12	6	13	6,5	N75-9	90 NBR M00109	N 1	16936	○
75	100	15	7,5	16	6,5	N75-4	90 NBR M00109	N 1	16934	○
75	105	15	7,5	16	7,5	N75-17	90 NBR M00109	N 1	16939	○
78	86	8	4,5	9	4	N78-1	90 NBR M00109	N 1	16950	●
78	102	12	6	13	6	N78-3	90 NBR M00109	N 1	16951	○
80	93	8	5	9	5,5	N80-13	90 NBR M00109	N 1	16964	○
80	95	7,5	3,7	8,5	5,5	N80-16	90 NBR M00109	N 1	16965	○
80	100	10	5	11	6	AUN80-25	94 AU P00925	AUN 1	14482	●
80	100	10	5	11	6	N80-2	90 NBR M00109	N 1	17367	●
80	105	12	6	13	6,5	N80-12	90 NBR M00108	N 1	16963	○
80	110	15	7,5	16	7,5	AUN80-26	94 AU P00925	AUN 1	14483	○
80	110	15	7,5	16	7,5	N80-3	90 NBR M00108	N 1	16960	○
80	115	15	7,5	16	10	N80-5	90 NBR M00109	N 1	16961	○
82	100	9	4	10	6	N82-2	90 NBR M00109	N 1	16977	○
85	100	7,5	3,7	8,5	5,5	N85-7	90 NBR M00109	N 1	16993	●
85	105	10	5	11	6	N85-2	90 NBR M00109	N 1	16989	●
85	105	12	6	13	6	N85-1	90 NBR M00109	N 1	16988	○
85	105	18	12	19	6	AUN85-13	94 AU P00925	AUN 1	14296	○
85	110	12	6	13	6,5	N85-3	90 NBR M00109	N 1	16990	○
85	115	15	7,5	16	7,5	N85-4	90 NBR M00109	N 1	16991	○
86	98	12	6	13	5	N86-1	90 NBR M00109	N 1	11675	○
88	100	6	3	7	5	N88-3	90 NBR M00109	N 1	16999	●
90	105	7,5	3,7	8,5	5,5	N90-13	90 NBR M00108	N 1	17009	●
90	110	10	5	11	6	N90-6	90 NBR M00109	N 1	17007	●
90	110	18	12	19	6	AUN90-19	94 AU P00925	AUN 1	14500	○
90	115	12	6	13	6,5	N90-8	90 NBR M00109	N 1	17008	○
90	120	15	7,5	16	7,5	AUN90-20	94 AU P00925	AUN 1	14501	●
90	120	15	7,5	16	7,5	N90-2	90 NBR M00109	N 1	17005	○
95	110	7,5	3,75	8,5	5,5	N95-9	90 NBR M00108	N 1	17021	○
95	110	15	10	16	5,5	AUN95-18	94 AU P00925	AUN 1	12122	○
95	115	10	5	11	6	N95-4	90 NBR M00108	N 1	17019	○
95	115	18	12	19	6	AUN95-15	94 AU P00925	AUN 1	14253	○
95	120	12	6	13	6,5	N95-7	90 NBR M00108	N 1	17020	○
100	110	5	2,5	6	4,5	N100-11	90 NBR M00109	N 1	17034	●
100	120	10	5	11	6	N100-9	90 NBR M00109	N 1	17032	●
100	125	12	6	13	6,5	AUN100-26	94 AU P00925	AUN 1	14513	○
100	125	12	6	13	6,5	N100-8	90 NBR M00109	N 1	17031	●
100	130	15	7,5	16	7,5	AUN100-27	94 AU P00925	AUN 1	14514	○
100	130	15	7,5	16	7,5	N100-6	90 NBR M00109	N 1	11687	○
100	140	20	10	21	11	N100-10	90 NBR M00109	N 1	17033	○
105	120	8	4	9	5,5	N105-6	90 NBR M00109	N 1	17058	○
105	125	10	5	11	6	N105-8	90 NBR M00109	N 1	17059	●
106	118	12	6	13	5	N106-4	90 NBR M00108	N 1	11691	○
110	125	7,5	3,7	8,5	5,5	N110-10	90 NBR M00109	N 1	17039	●
110	125	12	7	13	5,5	AUN110-23	94 AU P00925	AUN 1	14532	○
110	130	10	5	11	6	N110-3	90 NBR M00109	N 1	17065	●
110	130	18	12	19	6	AUN110-19	94 AU P00925	AUN 1	14530	○

● Available from stock ○ On request: Tool is available, delivery at short notice



d	D	H	H ₁	L	C	Code	Material	Type	Article No.	
110	135	12	6	13	6,5	N110-9	90 NBR M00109	N 1	17037	○
110	140	15	7,5	16	7,5	AUN110-18	94 AU P00925	AUN 1	14529	○
110	140	15	7,5	16	7,5	N110-2	90 NBR M00108	N 1	15905	○
115	140	12	6	13	6,5	N115-3	90 NBR M00109	N 1	17073	○
120	140	10	5	11	6	N120-3	90 NBR M00109	N 1	17084	●
120	150	15	7,5	16	7,5	N120-1	90 NBR M00109	N 1	17082	●
125	145	10	5	11	6	N125-2	90 NBR M00109	N 1	17089	○
125	155	15	7,5	16	7,5	N125-3	90 NBR M00109	N 1	17090	○
130	150	10	5	11	6	N130-5	90 NBR M00109	N 1	17103	●
130	160	15	7,5	16	7,5	AUN130-13	94 AU P00925	AUN 1	14560	○
130	160	15	7,5	16	7,5	N130-1	90 NBR M00108	N 1	17101	○
135	150	10	4	11	5,5	N135-4	90 NBR M00108	N 1	11701	●
135	160	12	6	13	6,5	N135-5	90 NBR M00109	N 1	11702	●
140	170	15	7,5	16	7,5	N140-2	90 NBR M00109	N 1	17112	○
140	175	20	8	21	10	N140-9	90 NBR M00108	N 1	11704	○
145	170	15	8	16	6,5	N145-2	90 NBR M00108	N 1	17117	○
145	175	15	7,5	16	7,5	N145-1	90 NBR M00108	N 1	17116	○
150	170	10	5	11	6	N150-9	90 NBR M00108	N 1	17122	●
150	170	18	12	19	6	AUN150-11	94 AU P00925	AUN 1	103802	○
150	180	15	7,5	16	7,5	AUN150-13	94 AU P00925	AUN 1	103804	○
150	180	15	7,5	16	7,5	N150-1	90 NBR M00108	N 1	17120	○
155	185	15	7,5	16	7,5	N155-1	90 NBR M00108	N 1	17131	○
160	180	14	7	15	6	N160-9	90 NBR M00108	N 1	17137	●
160	185	15	7,5	16	6,5	N160-11	90 NBR M00108	N 1	17138	○
160	190	15	7,5	16	7,5	N160-4	90 NBR M00108	N 1	17135	○
165	195	15	7,5	16	7,5	N165-1	90 NBR M00108	N 1	17139	○
165	195	26	17,5	27	7,5	AUN165-7	94 AU P00925	AUN 1	103810	○
170	200	15	7,5	16	7,5	N170-4	90 NBR M00109	N 1	17143	●
170	200	26	17,5	27	7,5	AUN170-7	94 AU P00925	AUN 1	103812	○
170	210	20	10	21	11	N170-3	90 NBR M00108	N 1	17142	○
175	205	15	7,5	16	7,5	N175-2	90 NBR M00108	N 1	17145	○
180	200	10	5	11	6	N180-8	90 NBR M00108	N 1	17151	●
180	200	18	12	19	6	AUN180-11	94 AU P00925	AUN 1	103815	○
180	204	12	6	13	6	N180-4	90 NBR M00108	N 1	17149	○
180	210	15	7,5	16	7,5	N180-5	90 NBR M00108	N 1	17150	○
180	220	20	10	21	11	AUN180-9	94 AU P00925	AUN 1	103813	○
190	220	15	7,5	16	7,5	N190-2	90 NBR M00108	N 1	17158	○

● Available from stock ○ On request: Tool is available, delivery at short notice

d	D	H	H ₁	L	C	Code	Material	Type	Article No.	
195	225	15	7,5	16	7,5	N195-2	90 NBR M00108	N 1	17161	○
200	230	15	7,5	16	7,5	AUN200-8	94 AU P00925	AUN 1	103825	○
200	230	15	7,5	16	7,5	N200-1	90 NBR M00108	N 1	17166	○
200	240	20	10	21	11	N200-2	90 NBR M00109	N 1	17167	○
205	230	15	7,5	16	6,5	N205-1	90 NBR M00108	N 1	17172	○
210	240	20	10	21	7,5	N210-4	90 NBR M00108	N 1	17178	○
210	250	20	10	21	11	N210-1	90 NBR M00108	N 1	17177	○
210	250	34	23	35	11	AUN210-5	94 AU P00925	AUN 1	103831	○
220	250	15	7,5	16	7,5	N220-6	90 NBR M00108	N 1	17188	○
220	250	26	17,5	27	7,5	AUN220-7	94 AU P00925	AUN 1	103834	○
225	255	15	7,5	16	7,5	N225-1	90 NBR M00108	N 1	17189	○
230	255	15	7,5	16	6,5	N230-5	90 NBR M00108	N 1	17196	○
230	270	20	10	21	11	N230-1	90 NBR M00108	N 1	17194	○
235	275	20	10	21	11	N235-2	90 NBR M00108	N 1	15909	○
240	272	16	8	17	8	N240-4	90 NBR M00108	N 1	17197	○
240	272	26	17,5	27	8	AUN240-6	94 AU P00925	AUN 1	103838	○
240	280	20	10	21	11	N240-3	90 NBR M00108	N 1	11895	○
250	280	25	12,5	26	7,5	N250-1	90 NBR M00108	N 1	18096	○
250	280	26	17,5	27	7,5	AUN250-12	94 AU P00925	AUN 1	103840	○
260	285	12	6	13	6,5	N260-2	90 NBR M00108	N 1	11896	○
260	300	20	10	21	11	N260-1	90 NBR M00109	N 1	17203	○
280	310	15	7,5	16	7,5	N280-7	90 NBR M00108	N 1	17209	●
280	320	20	10	21	11	N280-4	90 NBR M00108	N 1	17208	○
285	330	34	23	35	13	AUN285-4	94 AU P00925	AUN 1	103847	○
290	330	20	10	21	11	N290-1	90 NBR M00108	N 1	17211	○
300	330	16	8	17	7,5	N300-7	90 NBR M00108	N 1	17214	○
310	350	20	10	21	11	N310-1	90 NBR M00108	N 1	17219	●
350	390	35	15	36	11	N350-2	90 NBR M00108	N 1	17226	○
360	400	20	10	21	11	N360-1	90 NBR M00108	N 1	17228	○
380	420	20	10	21	11	N380-2	90 NBR M00108	N 1	17231	○
390	415	15	7,5	16	6,5	N390-1	90 NBR M00108	N 1	17233	○
400	440	20	10	21	11	N400-1	90 NBR M00108	N 1	17234	○
420	450	15	7,5	16	7,5	N420-2	90 NBR M00108	N 1	17239	○
440	480	25	10	26	11	N440-1	90 NBR M00108	N 1	17242	○
460	500	20	10	21	11	N460-2	90 NBR M00108	N 1	17248	○

● Available from stock ○ On request: Tool is available, delivery at short notice